

EC-BOS-9

Multi-Protocol Web Building
Controller



Overview

The EC-BOS-9 is a compact, embedded controller and server platform for connecting multiple and diverse devices and sub-systems. With Internet connectivity and Webserving capability, the EC-BOS-9 provides integrated control, supervision, data logging, alarming, scheduling and network management. It streams data and graphical displays to a standard Web browser via an Ethernet or wireless LAN, or remotely over the Internet.

The EC-BOS-9 operates with EC-Net™ 4 web-based building management platform powered by the Niagara Framework®.

Features & Benefits

- Scalable licensing model and modular hardware make the EC-BOS-9 suitable for installation in small buildings, as well as across large multi-unit campuses when combined with an EC-Net Supervisor
- Integrates many communication protocols and automation systems including HVAC, lighting, energy, and industrial/processing
- Two on-board isolated RS-485 ports for connecting to various common networks, e.g. BACnet MS/TP, Modbus RTU
- Option modules for additional physical network connections, e.g. LONWORKS® FTT-10A, RS-232, RS-485

Model Selection

To order a fully functional EC-BOS-9, the following three components are required: EC-BOS-9, Core Software, Software Maintenance Agreement (SMA). If ordering a demo core, an SMA is not required. Refer to the [EC-Net Selection Tool](#) to calculate the required components.

EC-BOS-9 Core Software

Example: EC-BOS-9 Core - 5000 Points

Series	Points ¹
EC-BOS-9 Core: EC-BOS-9 core software. Includes standard open drivers. Requires EC-Net 4.13.2 or higher. Software Maintenance Agreement (SMA) must be purchased in conjunction with core software.	100 Points: Supports up to 100 points. 250 Points: Supports up to 250 points. 500 Points: Supports up to 500 points. 1250 Points: Supports up to 1250 points. 5000 Points: Supports up to 5000 points. 10000 Points: Supports up to 10000 points.
EC-BOS-9 Core – Demo: EC-BOS-9 core software. Includes all available drivers. Supports up to 25000 points. Runs on EC-Net 4.13.2 or higher. Note: This license expires annually, and its renewal is covered by the EC-Net Support Fee.	N/A

1. Points cannot be added to the Demo version (EC-BOS-9 Core – Demo) of the EC-BOS-9 core software.

For more information regarding the EC-Net drivers currently offered by Distech Controls, refer to the [EC-Net Drivers Reference Guide](#).

EC-BOS-9 Software Maintenance Agreement

Software maintenance is required when purchasing an EC-BOS-9. The minimum initial software maintenance plan is 18 months. Optional 3- or 5-year maintenance may be substituted.

If Maintenance coverage is not purchased for any period, the price of Maintenance for the next period for which it is purchased will be (a) the Maintenance fee for the period(s) for which Maintenance was not purchased, up to a maximum of 5 years; and (b) the Maintenance fee for the next year.

These software maintenance plans are ordered separately according to the EC-BOS-9 model chosen. See the price list for more details. Take advantage of the Asset Manager online tool to receive notifications about SMA expirations and Enterprise SMA to align all SMA expiration dates to a single one for the entire system.

Example: EC-BOS-9 (250 points) 3 year SMA

Series	Software Maintenance Agreement
EC-BOS-9 (250 points)	18 month SMA: Initial 18-month software maintenance agreement. Must be purchased in conjunction with initial core software. Optional 3 or 5 year maintenance may be substituted. 1 year SMA: 1-year software maintenance agreement (includes new and interim releases). 3 year SMA: 3-year software maintenance agreement (includes new and interim releases). 5 year SMA: 5-year software maintenance agreement (includes new and interim releases).
EC-BOS-9 (500 points)	
EC-BOS-9 (1250 points)	
EC-BOS-9 (5000 points)	
EC-BOS-9 (10000 points)	

EC-BOS-9 Upgrade Pack

Example: EC-BOS-9 Upgrade Pack - 25

Series	Points
EC-BOS-9 Upgrade Pack: EC-BOS-9 upgrade pack purchased in conjunction with or any time <u>after</u> initial core software purchase.	500: Adds support for additional 500 points to core software. 1250: Adds support for additional 1250 points to core software. 2500: Adds support for additional 2500 points to core software.

EC-BOS-9 Hardware Accessory

Example: EC-BOS-9 Wall Plug Module

Accessory	Description
EC-BOS-9 Wall Plug Module	100-240VAC, 50/60 Hz. Wall Adapter – Connects to the 2.5mm barrel plug 24V input on the EC-BOS-9 and includes US, EU, UK, and AU style plugs.

EC-BOS-9 Add-on Modules

Example: IO-R-16

Add-on Module	Description
EC-NPB8-LON	Add-on single port LON FTT10A module.
EC-NPB8-2X-485	Add-on dual port RS-485 module.
EC-NPB8-232	Add-on single port RS-232 module.
IO-R-16	16 Point IO Module. Powered by IO-R-34. Connected to the EC-BOS-9 remotely over RS485.
IO-R-34	34 Point IO Module. Powered by 24VAC/DC. Capable of powering (4) IO-R-16 modules. Connected to the EC-BOS-9 remotely over RS485.

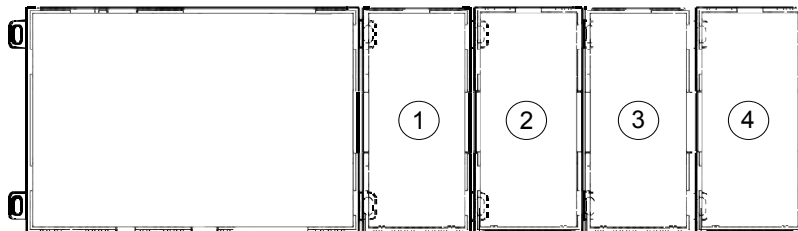
Expansion Modules

Modules	Description	Maximum Expansion Modules Supported
EC-NPB8-LON	Add-on single port LON FTT10A module.	4
EC-NPB8-2X-485	Add-on dual port RS-485 module.	2
EC-NPB8-232	Add-on single port RS-232 module.	4
IO-R-16	16 Point IO Module	16 ¹
IO-R-34	34 Point IO Module	8 ¹

1. For detailed information about maximum number of modules supported and maximum combinations, refer to the EC-BOS-9 I/O Modules datasheet.

Maximum Combinations (see figure below):

Expansion 1	Expansion 2	Expansion 3	Expansion 4
EC-NPB8-232 OR EC-NPB8-LON	EC-NPB8-232 OR EC-NPB8-LON	EC-NPB8-232 OR EC-NPB8-LON	EC-NPB8-232 OR EC-NPB8-LON
EC-NPB8-2X-485	EC-NPB8-232 OR EC-NPB8-LON	EC-NPB8-232 OR EC-NPB8-LON	EC-NPB8-232 OR EC-NPB8-LON
EC-NPB8-2X-485	EC-NPB8-2X-485	EC-NPB8-232 OR EC-NPB8-LON	



Product Specifications

Platform

- Processor NXP iMX8M+ Quad Core CPU
- Memory 2GB LPDDR4 RAM
 - Removable 8GB micro-SD card
 - Real-time clock
 - Batteryless
 - Secure boot

Communications

- USB type C connector Debug port
- RS-485 2 isolated RS-485 with selectable bias and termination
- Ethernet 2 10/100/1000MB Ethernet ports
- BACnet Listing *(pending)*

Power Supply

- Voltage 24VAC/DC power supply
- Consumption 24VA (24VAC); 24W (24VDC)

Operating Systems

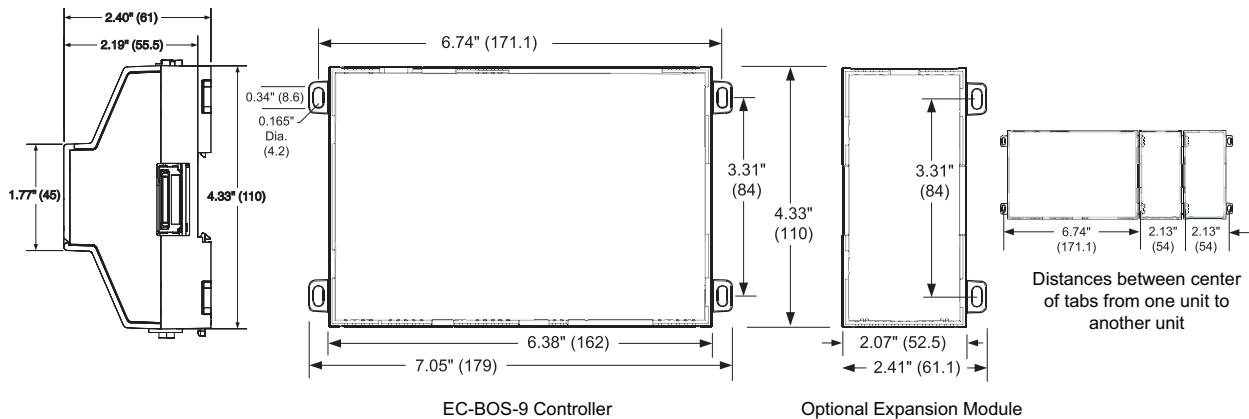
EC-Net 4 4.13.2 or later

Environmental

- Operating Temperature -20 to 60°C (-4 to 140 °F)
- Storage Temperature -40 to 85°C (-40 to 185 °F)
- Relative Humidity 5% to 95% - Non condensing
- Shipping and Vibration ASTM D4169, Assurance Level II
- MTTF 10 years+

Standards and Regulations

- UL UL 916
- C-UL listed to Canadian Standards Associations (CSA) C22.2 No. 205-M1983 "Signal Equipment"
- CE EN 61326-1
- FCC Part 15 Subpart B, Class B, Part 15 Subpart C
- R&TTE Compliance 1999/5/EC R&TTE Directive
- Other compliances CCC, SRRC, RSS, RoHS



Distances between center of tabs from one unit to another unit

Specifications subject to change without notice.

ECLYPSE, Distech Controls, the Distech Controls logo, EC-Net, Allure, and Allure UNITOUCH are trademarks of Distech Controls Inc. BACnet is a registered trademark of ASHRAE; BTL is a registered trademark of the BACnet Manufacturers Association. The Bluetooth word mark and logos are registered trademarks owned by Bluetooth SIG, Inc. and any use of such marks is under license. All other trademarks are property of their respective owners.

©, Distech Controls Inc., All rights reserved.

Global Head Office - 4205 place de Java, Brossard, QC, Canada, J4Y 0C4 - EU Head Office - ZAC de Sacuny, 558 avenue Marcel Mériex, 69530 Brignais, France