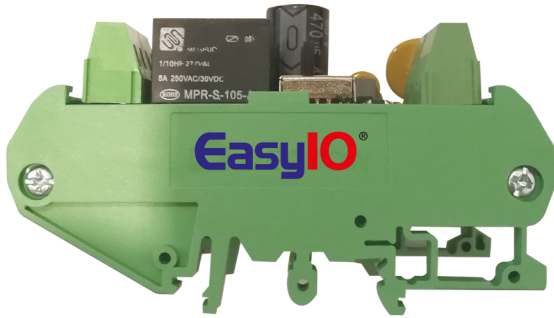


## EasyIO FR relay module

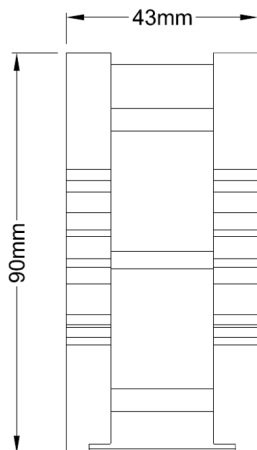
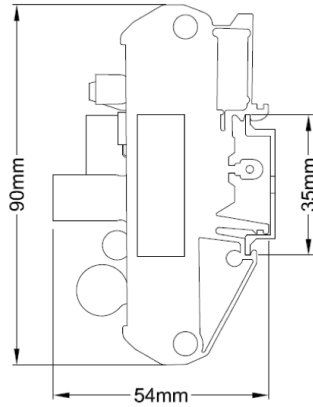
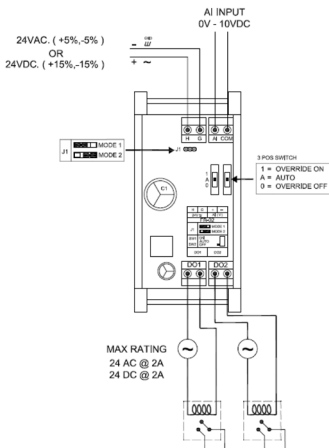
### EasyIO-FR-02



The FR-02 is a relay module which can be mounted on dinrail. It allows 1 x AO coming from a controller to provide floating control via two built-in relays. The modes 1 or 2 are selected by a jumper on the FR-02. Relays rated for 5 million cycles.

**WARNING:** Class 2 Devices Wiring Only – Do Not Reclassify and Install as Class 1, 3 or Power and Lighting Wiring  
**ATTENTION:** Câblage destiné aux équipements de classe 2 seulement. Ne pas les reclasser ni les installer avec un câblage de classe 1 ou de classe 3, ou avec un câblage d'alimentation ou d'éclairage.

DO1 ~ DO2 is a voltage free contact. External power source is needed either 24 Vac or 24 Vdc.



#### Input Rating:

Power Supply	24Vac(+/-5%), 20VA or 24Vdc(+15%/-15%), 15VA, Class 2
Analog Input	Voltage 0-10 Vdc, Class 2

#### Output Rating:

Digital Outputs (SPST N.O. dry contact)	24V AC/DC 2A (48VA)
--	---------------------

#### Do not mount:

- In an area where excessive moisture, corrosive fumes or explosion vapors are present.
- Where excessive vibration or shocks are likely to occur.
- On a location with excessive electrical noise, such as large magnetic interference or variable speed drive modules.

#### MODE 1 (FLOATING MODE)

Stage	Min Volt	Max Volt	Optimum Volt	DO 1 State	DO 2 State
1	0.00	1.00	0.00	OFF	OFF
2	1.10	5.00	3.00	ON	OFF
3	5.10	6.00	5.50	OFF	OFF
4	6.10	10.00	8.00	OFF	ON

#### MODE 2 (STAGING MODE)

Stage	Min Volt	Max Volt	Optimum Volt	DO 1 State	DO 2 State
1	0.00	2.50	2.00	OFF	OFF
2	2.60	5.00	3.50	ON	OFF
3	5.10	7.50	6.50	OFF	ON
4	7.60	10.00	8.50	ON	ON