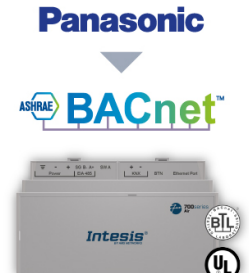




Panasonic ECOi, ECOg and PACi systems to BACnet IP/MSTP Application

The Panasonic Application has been specially designed to allow bidirectional control and monitoring of Panasonic ECOi, ECOg and PACi systems from a BMS, SCADA, PLC or any other device working as a BACnet/IP Client or a BACnet MS/TP Master.

The solution allows the integration of up to 64 indoor units from a single Interface.

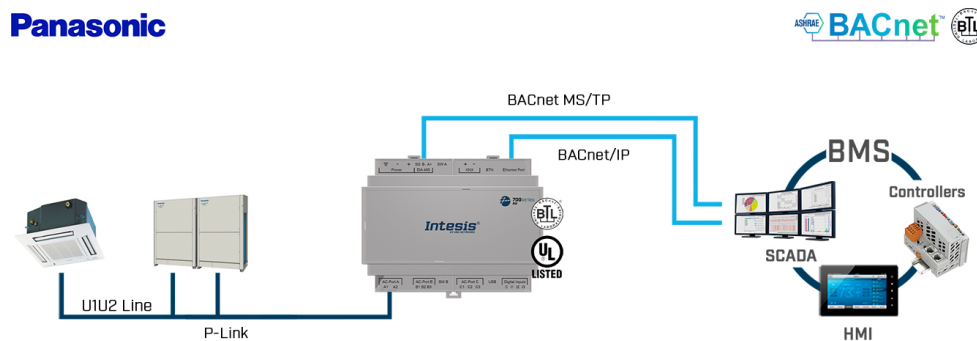


FEATURES

- UL Listed.
- BTL Certified.
- Direct access to outdoor unit's communication bus.
- Scan: Automatic identification of the units presents on the VRF system.
- Energy consumption signals from each indoor unit are available.
- Outdoor unit's signals available for the integration.
- Supports both BACnet/IP and BACnet MS/TP physical layers.
- Configuration through IP or USB (Console) port.
- Easy integration with Intesis MAPS.
- Automatic updates for both Intesis MAPS and interface's firmware.

Use Case

Panasonic VRF systems to BACnet Gateway integration example



Description

DIRECT CONNECTION TO VRF OUTDOOR UNITS

The gateway is directly connected to the outdoor unit's communication bus and enables the control of all the indoor units connected to the system. This allows not only the control and monitoring of the main AC functions but the access to some internal variables of the outdoor units.

SET UP BY INTESIS MAPS

The configuration is carried out using the Intesis MAPS software. This one allows you to define your own settings for the device and offers extra

functions available for all the new generation gateways. Thanks to the scan function, which allows to automatically discover all the units available in the installation, get the interface ready to work in a really short time.

Intesis MAPS makes it easy to identify any malfunction in the installations thanks to its robust diagnostic feature.

Technical Documentation

| | | |
|--|--|------------|
| User Manual | General information about this product | Download |
| Installation Manual | Learn how to install the device in your project | Download |
| Application Wiring Diagram | Review your specific application wiring diagram | Download |
| BACnet Server PIC statement | BACnet Client Protocol Implementation Conformance Statement 700 Series Air | Download |
| HVAC Compatibility tool | Find the appropriate solution for your HVAC integration | Open |
| EC Declaration of Conformity | Check the product certification | Download |
| UKCA Certification | Check the product UKCA Certification | Download |
| BTL Certification | Check the product BTL Certification | Download |
| Recommendations to avoid polarity issues | How to avoid polarity issues in RS485 Networks | Learn more |

Programming Tools

| | | |
|--------------------------|--|------------|
| Intesis MAPS | Get access to download the configuration software tool | Download |
| Intesis MAPS User Manual | General information about Intesis MAPS | Download |
| eLearning course | Learn the secrets of Intesis MAPS | Enroll now |

Commercial Documentation

| | | |
|---------------------|--|----------|
| Marketing Datasheet | Discover all the integration solutions for Panasonic | Download |
| Intesis Brochure | Know more about the Intesis current available products | Download |

| File | Version | Size | Read online |
|------|---------|------|-------------|
|------|---------|------|-------------|

ORDER CODES:

| | |
|-----------------|--|
| IN770AIR00SO000 | Intesis multi-brand AC interface with KNX, Serial and IP support - Up to 16 Indoor Units, 32 Outdoor Units |
| IN770AIR00MO000 | Intesis multi-brand AC interface with KNX, Serial and IP support - Up to 64 Indoor Units, 32 Outdoor Units |

The order code can differ depending on the product seller and the buyer's location.

For the older version, please click [here](#) to find the documentation

Click [here](#) for a larger gateway's capacity

INCLUDED COMPONENTS:

Intesis Gateway.

Installation Manual.

USB Configuration cable.

(Power supply not included).

Warranty: 36 months.

Copyright © 2020 HMS Industrial Networks - All rights reserved.
