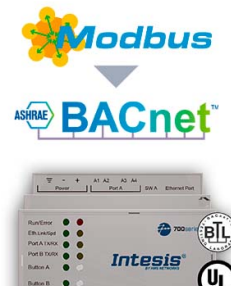




## Modbus TCP & RTU Master to BACnet IP & MS/TP Server Application

Integrate any Modbus RTU or TCP server device, or both at the same time, with a BACnet BMS or any BACnet IP or BACnet MS/TP controller. The aim of this integration is to make accessible Modbus system signals and resources from a BACnet based control system or device, as if it was a part of the own BACnet system and vice-versa.

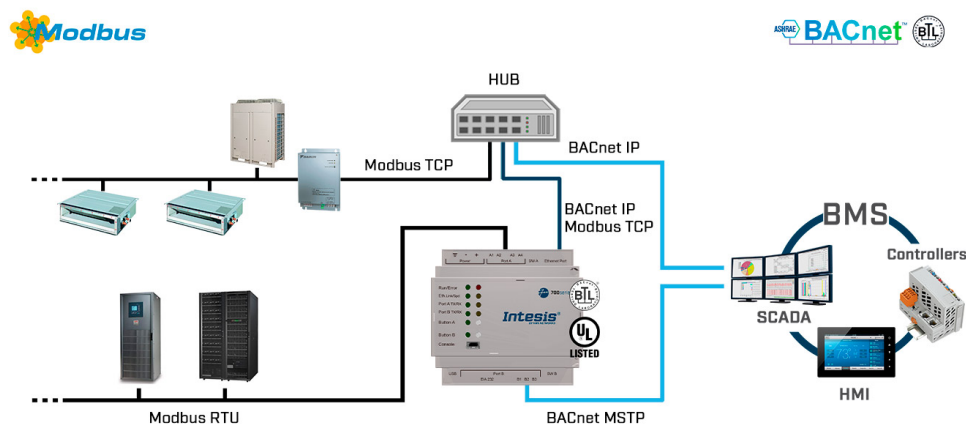


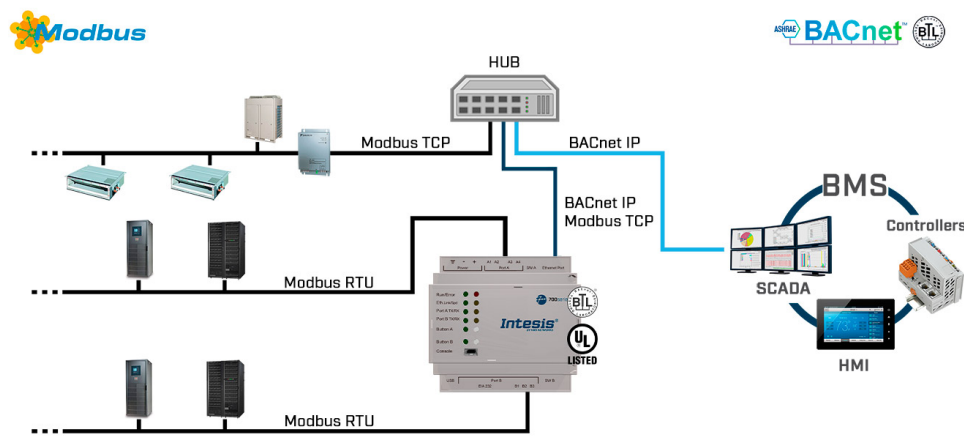
### FEATURES

- UL Certified
- BTL Certified
- Support for BACnet IP Client and MSTP Master
- BACnet Advanced features available (Trend logs, Calendars, etc.)
- Support for 2 independent RTU ports for integration into BACnet IP < **NEW!**
- Up to 5 Modbus TCP nodes/devices
- Up to 32 Modbus devices per RTU node (without repeater) and up to 255 in total
- Possibility to generate/download templates of your Modbus products
- Easy integration & updates with Intesis MAPS

### Use Case

Integration of Modbus RTU and TCP devices into a BACnet IP or MS/TP installation





**Description**

This bidirectional gateway provides a straightforward and fast integration thanks to its unique onboard features. The BTL mark ensures 100% compatibility and, at the same time, guarantees a seamless integration with any BACnet device. The configuration is carried out using the Intesis MAPS software. This one allows you to define your own settings for the device. Also, it will be able to download all the available project templates or to import any created/exported project template on your computer.

**Technical Documentation**

Installation Manual	Learn how to install the device in your project	Download
Application Wiring Diagram	Review your specific application wiring diagram	Download
User Manual	General information about this product	Download
BACnet Server PIC statement	BACnet Server Protocol Implementation Conformance Statement 700 series	Download
Late Configuration Video	Learn how to match your hardware with your application	Watch
Modbus templates Video	Learn how to integrate it by using the Modbus Templates on Intesis MAPS	Watch
EC Declaration of Conformity	Check the product certification	Download
UKCA Certification	Check the product UKCA Certification	Download
KC Certification	Check the product KC Certification	Download
Recommendations to avoid polarity issues	How to avoid polarity issues in RS485 Networks	Learn more

→ Click here to ask for a product upgrade and increase the gateway’s capacity

**Programming Tools**

Intesis MAPS	Get access to download the configuration software tool	Download
Intesis MAPS User Manual for BACnet	General information about Intesis MAPS for BACnet projects	Download
Learning course	Learn the secrets of Intesis MAPS	Enroll now

**Commercial Documentation**

Intesis Brochure	Know more about the Intesis current available products	Download
------------------	--	----------

File	Version	Size	Read online
------	---------	------	-------------

**ORDER CODES:**

IN7004851000000	Intesis Protocol Translator with Serial and IP support - 100 points
IN7004852500000	Intesis Protocol Translator with Serial and IP support - 250 points
IN7004856000000	Intesis Protocol Translator with Serial and IP support - 600 points
IN7004851K20000	Intesis Protocol Translator with Serial and IP support - 1200 points
IN7004853K00000	Intesis Protocol Translator with Serial and IP support - 3000 points

→ For older version, please click here to find the documentation

**INCLUDED COMPONENTS:**

- Intesis Gateway.
- Installation Manual.
- USB Configuration cable.
- (Power supply not included).

Warranty: 36 months.

---

Copyright © 2020 HMS Industrial Networks - All rights reserved.