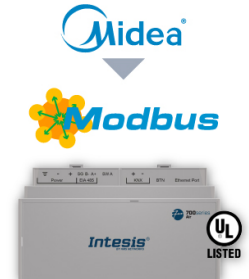




Midea Commercial & VRF systems to Modbus TCP/RTU Application

The Midea Application has been specially designed to allow bidirectional control and monitoring of Midea Commercial & VRF systems from a BMS, SCADA, PLC or any other device working as a Modbus Master.

The solution allows the integration of up to 64 indoor units from a single Interface.



FEATURES

UL Listed.

Direct access to outdoor unit's communication bus.

Scan: Automatic identification of the units presents on the VRF system.

Energy consumption signals from each indoor unit are available.

The interface is a Modbus slave able to manage Modbus TCP and Modbus RTU simultaneously.

Up to 6 TCP clients (incoming sockets) are supported.

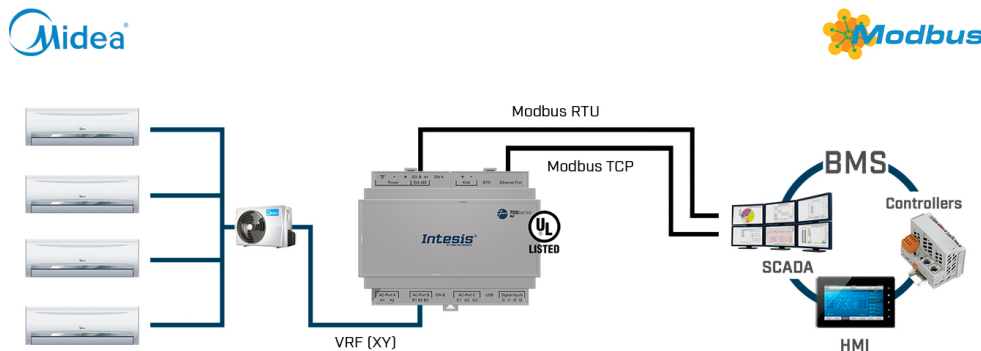
Configuration through IP or USB (Console) port.

Easy integration with Intesis MAPS.

Automatic updates for both Intesis MAPS and interface's firmware.

Use Case

Integration of Midea Commercial & VRF systems into a Modbus RTU installation



Description

DIRECT CONNECTION TO INDOOR UNITS

The gateway is wired directly to an indoor or outdoor unit. This allows not only the control of the main AC functions such as operating mode, fan speed, temperature setpoint...but the monitoring of errors, alarms and some internal variables.

EASY AND FAST TO SET UP BY DIP-SW

This product can be installed and set up in a really short time. It's only a matter of wiring the gateway to the AC unit and configure the DIP-SW accordingly. No configuration software and no power supply are required.

The consistent Modbus register mapping used for all AC brands, helps improving the integration time of each project.

Technical Documentation

User Manual	General information about this product	Download
Installation Manual	Learn how to install the device in your project	Download
Application Wiring Diagram	Review your specific application wiring diagram	Download
HVAC Compatibility tool	Find the appropriate solution for your HVAC integration	Open
EC Declaration of Conformity	Check the product certification	Download
UKCA Certification	Check the product UKCA Certification	Download
Recommendations to avoid polarity issues	How to avoid polarity issues in RS485 Networks	Learn more

Programming Tools

Intesis MAPS	Get access to download the configuration software tool	Download
Intesis MAPS User Manual	General information about Intesis MAPS	Download
eLearning course	Learn the secrets of Intesis MAPS	Enroll now

Commercial Documentation

Marketing Datasheet	Discover all the integration solutions for Midea	Download
Intesis Brochure	Know more about the Intesis current available products	Download

HVAC Compatibility

Ensure the compatibility of this gateway with your AC model by visiting <https://compatibility.intesis.com/>.

Compatible AC models

MDV-D - Q1/N1-C | MDV-D - Q1/N1-D | MDV-D - Q1/N1 | MDV-D - Q2/N1 | MDV-D - Q4/N1-A3 | MDV-D - Q4/N1-D | MI - Q4/DHN1-A3 | MI - Q4/DHN1-D | MCA3I - FNXD0 | MCA3I - HRFN1-QRC8 | MCA3U - HRFN1-QRD0W | MCA3 - HRFN1-QRC8W(B) | MCD - FNXD0 | MCD - HRFN1-QRC8W(D) | MCD - HRFN1-QRD0 | MCA3 - HRFN1-QRD0 | MKD-V - F | MDV-D - T1/N1-B | MDV-D - T2/N1-DA5 | MDV-D - T3/N1-B | MDV-D - T3/N1-C | MDV-D - T2/N1-CA5 | MDV-D - T2/N1-BA5 | MVM - A-VA1 | MDV-D - T1/N1 | MI - T1/DHN1-B | MI - T2/DHN1-DA5 | MTBI - HWFN1-QRD0 | MTB - HWFN1-QRC8W(B) | MTB - HWFN1-QRC8W(D) | MTBU - QRD0W | MTBU - HWFN1-QRD0 | MTI - FNXD0 | MTI - HWFN1-QRD0 | MTIU - FNXD0 | MI - T2/DHN1-BA5 | AHUKZ - | AHUKZ - B | MDV-D - DL/N1-C | MI - DL/DHN1-C | MUE - FNXD0 | MUE - HRFN1-QRD0 | MI-D - Z/N1-F4 | MDV-D - Z/N1-F4 | MDV-D - Z/N1-F5 | MDV-D - Z/N1-F3B | MDV-D - G-R3/N1Y | MDV-D - G/DN1YB | MDV-D - G/N1YB | MDV-D - G/N1-S | MDV-D - G/DN1-S | MI - G/DHN1-M | MSMBAU - HRFN1-QRD0GW(B) | MSMBBU - HRFN1-QRD0GW(B) | MSMBUCU - HRFN1-QRD0GW(B) | MSMBDU - HRFN1-QRD0GW(B) | MDV-D - Z/DN1-B | MFAI - HRFN1-QRC8 | MFAU - HRFN1-QRD0 | MFA - HRFN1-QRC8W | MDV-D - T1/N1-FA | MFM - HRFN1-QRD0 | MFM - ARFN1-RRD0 | MDV-V - W/DN1 (outdoor) | MDV-V - W/DN1(B) (outdoor) | MDV-V - W/DRN1 (outdoor) | MDV-V - W/DRN1(A) (outdoor) | MDV - W/DRN1-i(B) (outdoor) | MDV - W/DRN1-i(C) (outdoor) | MV5-E - W/V2GN1 (outdoor) | MV5-X - W/V2GN1 (outdoor) | MDVS - (8)W/DRN1 (outdoor) | MDVS - (10)W/DRN1 (outdoor) | MDVS - (12)W/DRN1 (outdoor) | MDV - (8)W/D2RN1T(C) (outdoor) | MDV - (10)W/D2RN1T(C) (outdoor) | MDV - (12)W/D2RN1T(C) (outdoor) | MDV - (14)W/D2RN1T(C) (outdoor) | MDV - (16)W/D2RN1T(C) (outdoor) | MV - (8)W/D2RN1T(D) (outdoor) | MV - (10)W/D2RN1T(D) (outdoor) | MV - (12)W/D2RN1T(D) (outdoor) | MV - (14)W/D2RN1T(D) (outdoor) | MV - (16)W/D2RN1T(D) (outdoor) | MSAGDU-xxHRFN8-QRD0GW (2) (outdoor) | MSAGCU-xxHRFNX-QRD0GW (2) (outdoor) | MSAGBU-xxHRFN8-QRD1GW(GA) (2) (outdoor) | MSAGDU-xxHRFNX-QRD0GW (2) (outdoor) | MCA3I-xxHRFNX-QRD0 (outdoor) | MCA3U-xxHRFNX-QRD0W (outdoor) | MCD-xxHRFNX-QRD0 (outdoor) | MTIU-xxHWFN1-QRD0W(V1) (outdoor) | MTIU-xxHWFN1-

QRD0W (outdoor) | MTI-xxHWFNX-QRD0(V1) (outdoor) | MTI-xxHWFNX-QRD0 (outdoor) | MUEU-xxHRFNX-QRD0W (outdoor) | MUE-xxHRFNX-QRD0 (outdoor)

KAYSUN AC models

KCI - DMN8 | KCI - DN10 | KCI - DMNU9 | KFC-CI-2T - D | KFC-CI-4T - D | KCIS - DMNU9 | KCIS - DN10 | KFC-CIS-2T - D | KFC-CIS-4T - D | KCOF - DN2.4 | KCIF - DN3.0 | KCIBF - DN3.0 | KPD - DMN7 | KPD - DN10 | KPD - DMNU8 | KPDF - DN3.0 | KPDHF - DN3.0 | KPDHF - DN2.4 | KPC - DN10 | KPCF - DN3.0 | KSF - DN2.3 | KAYF - DN3.0 | KFC-AY-2T - D | KFC-AY-2T - | KSDF - DN2.3 | KSD - DMN6 | KSD - DN9 | KSD - DMNU8 | KPV - DN10

* The asterisks stand for any character in the asterisk' position.

File	Version	Size	Read online
------	---------	------	-------------

ORDER CODES:

IN770AIR00SO000	Intesis multi-brand AC interface with KNX, Serial and IP support - Up to 16 Indoor Units
IN770AIR00MO000	Intesis multi-brand AC interface with KNX, Serial and IP support - Up to 64 Indoor Units

The order code can differ depending on the product seller and the buyer's location.

→ For the older version, please click here to find the documentation

INCLUDED COMPONENTS:

Intesis Gateway.
Installation Manual.
USB Configuration cable.
(Power supply not included).

Warranty: 36 months.

Copyright © 2020 HMS Industrial Networks - All rights reserved.