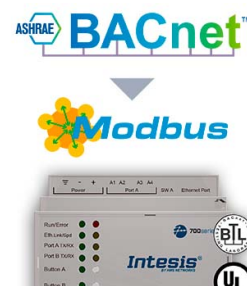




## BACnet IP & MS/TP Client to Modbus TCP & RTU Server Application

Integrate any BACnet MS/TP or BACnet IP server device, with a Modbus BMS or any Modbus TCP or Modbus RTU controller. The aim of this integration is to make accessible BACnet objects data and resources from a Modbus based control system or device, as if it was a part of the own Modbus system and vice-versa.

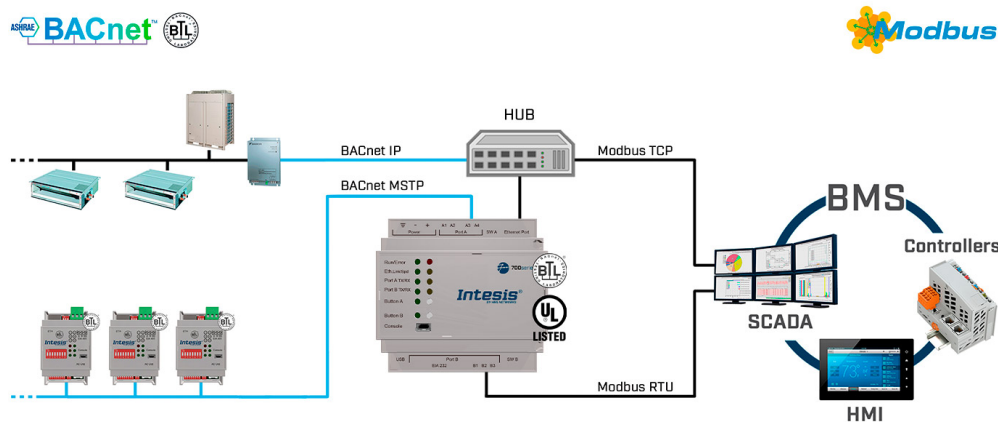


### FEATURES

- UL Certified
- BTL Certified
- Support for up to 5 simultaneous Modbus TCP Clients
- Both Modbus RTU & Modbus TCP
- Both BACnet IP and MS/TP supported
- Possibility to scan for BACnet devices with BACnet Explorer
- Easy integration & updates with Intesis MAPS

### Use Case

**Integration of BACnet IP or BACnet MSTP devices into a Modbus TCP or Modbus RTU installation.**



### Description

This bidirectional gateway provides a straightforward and fast integration thanks to its unique onboard features.

Thanks to its support for both Modbus RTU and TCP, with the possibility to work together at the same time, a seamless integration with any Modbus BMS or controller it is guaranteed.

The configuration is carried out using the Intesis MAPS software. This one allows you to define your own settings for the device. Also, it will be able to download all the available project templates or to import any created/exported project template on your computer.

**Technical Documentation**

Installation Manual	Learn how to install the device in your project	Download
Application Wiring Diagram	Review your specific application wiring diagram	Download
User Manual	General information about this product	Download
BACnet Client PIC statement	BACnet Client Protocol Implementation Conformance Statement 700 series	Download
Late Configuration Video	Learn how to match your hardware with your application	Watch
EC Declaration of Conformity	Check the product certification	Download
UKCA Certification	Check the product UKCA Certification	Download
KC Certification	Check the product KC Certification	Download
Recommendations to avoid polarity issues	How to avoid polarity issues in RS485 Networks	Learn more

→ [Click here to ask for a product upgrade and increase the gateway's capacity](#)

**Programming Tools**

Intesis MAPS	Get access to download the configuration software tool	Download
Intesis MAPS User Manual for Modbus	General information about Intesis MAPS for Modbus projects	Download
eLearning course	Learn the secrets of Intesis MAPS	Enroll now

**Commercial Documentation**

Intesis Brochure	Know more about the Intesis current available products	Download
------------------	--	----------

File	Version	Size	Read online
------	---------	------	-------------

**ORDER CODES:**

IN7004851000000	Intesis Protocol Translator with Serial and IP support - 100 points
IN7004852500000	Intesis Protocol Translator with Serial and IP support - 250 points
IN7004856000000	Intesis Protocol Translator with Serial and IP support - 600 points
IN7004851K20000	Intesis Protocol Translator with Serial and IP support - 1200 points
IN7004853K00000	Intesis Protocol Translator with Serial and IP support - 3000 points

[For older version, please click here to find the documentation](#)

**INCLUDED COMPONENTS:**

Intesis Gateway.

Installation Manual.

USB Configuration cable.

(Power supply not included).

Warranty: 36 months.

---

Copyright © 2020 HMS Industrial Networks - All rights reserved.