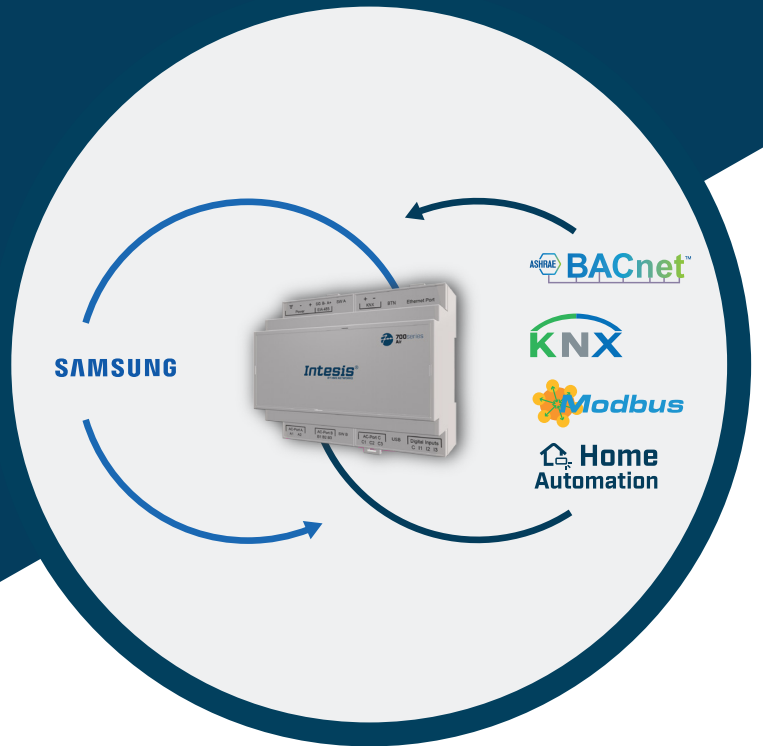


Application Wiring Diagrams for IN770SAM



Choose your application

SAMSUNG


ASHRAE **BACnet™**



IN-BAC-SA
Samsung
to BACnet

SAMSUNG

Modbus



IN-MBS-SA
Samsung
to Modbus Server

SAMSUNG


KNX



IN-KNX-SA
Samsung
to KNX

SAMSUNG

Home Automation



IN-WMP-SA
Samsung
to Home Automation

Samsung AC interface with KNX, Serial
and IP support

IN-BAC-SA

Samsung to BACnet

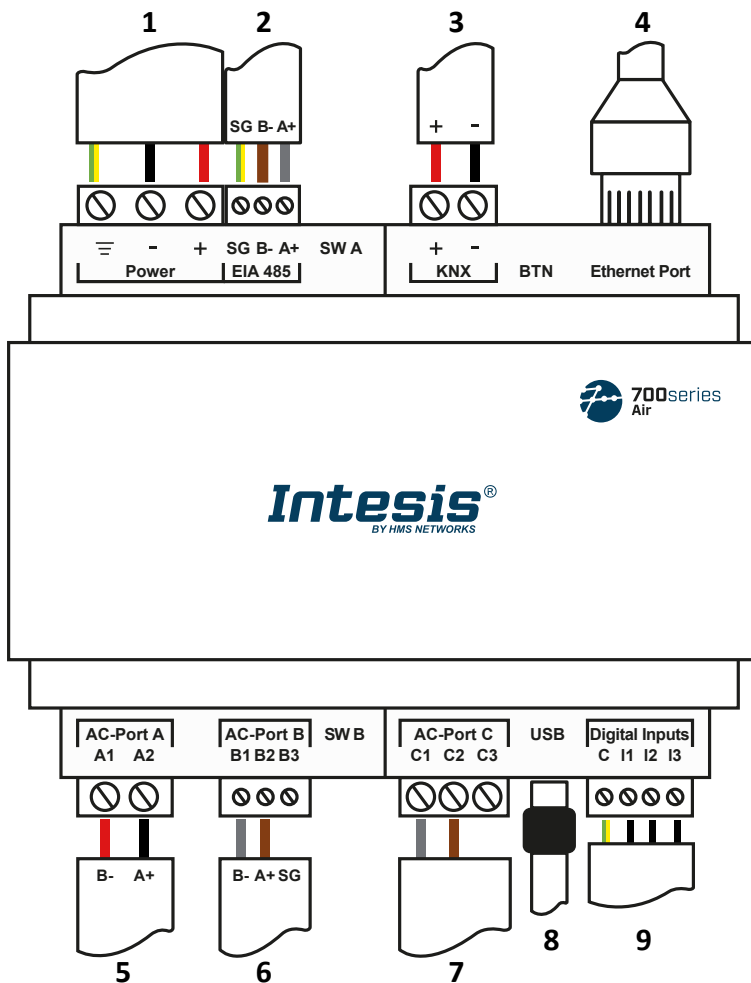
SAMSUNG



ASHRAE **BACnet™**
[BMS]



Wiring Diagram



- | | |
|------------------------------------|--|
| 1. Power Supply (12-36VDC / 24VAC) | 6. Samsung (R1/R2) |
| 2. BACnet MSTP | 7. Not used |
| 3. Not used | 8. Console |
| 4. BACnet IP & Console | 9. Binary inputs
(dry contact) optional |
| 5. Not used | |

[Application web page](#)

[User manual](#)

[Back](#)

IN-KNX-SA

Samsung to KNX

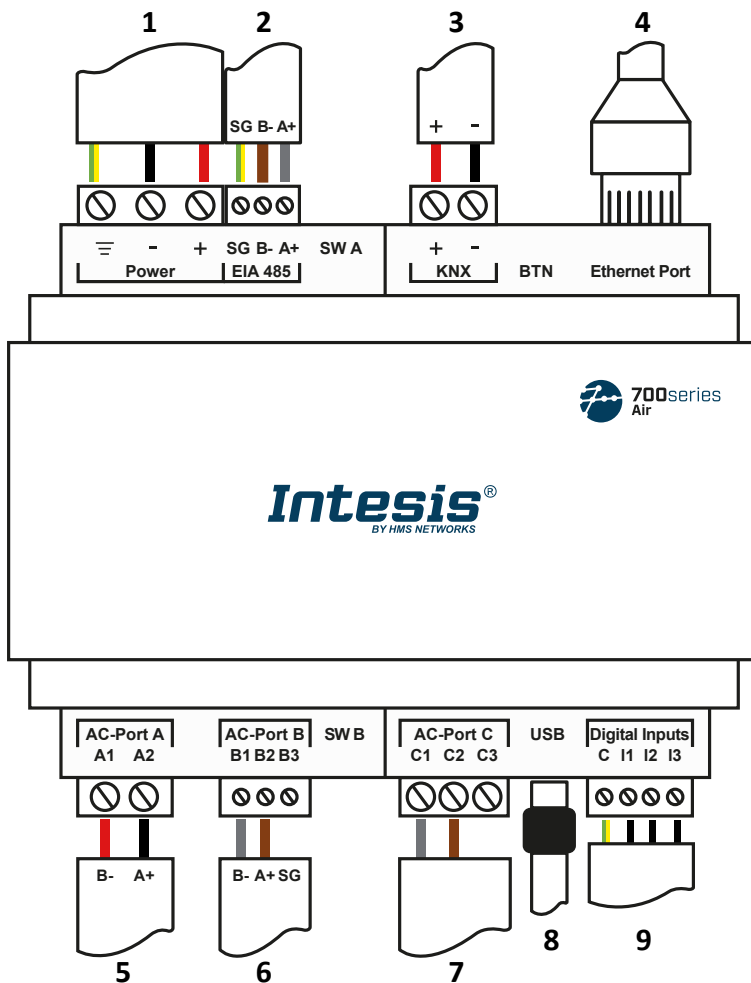
SAMSUNG



KNX
[BMS]



Wiring Diagram



[Application web page](#)

[User manual](#)

[Back](#)

- | | |
|------------------------------------|---|
| 1. Power Supply (12-36VDC / 24VAC) | 6. Samsung (R1/R2) |
| 2. Not used | 7. Not used |
| 3. KNX | 8. Console |
| 4. Console | 9. Binary inputs (dry contact) optional |
| 5. Not used | |

Samsung to Modbus Server

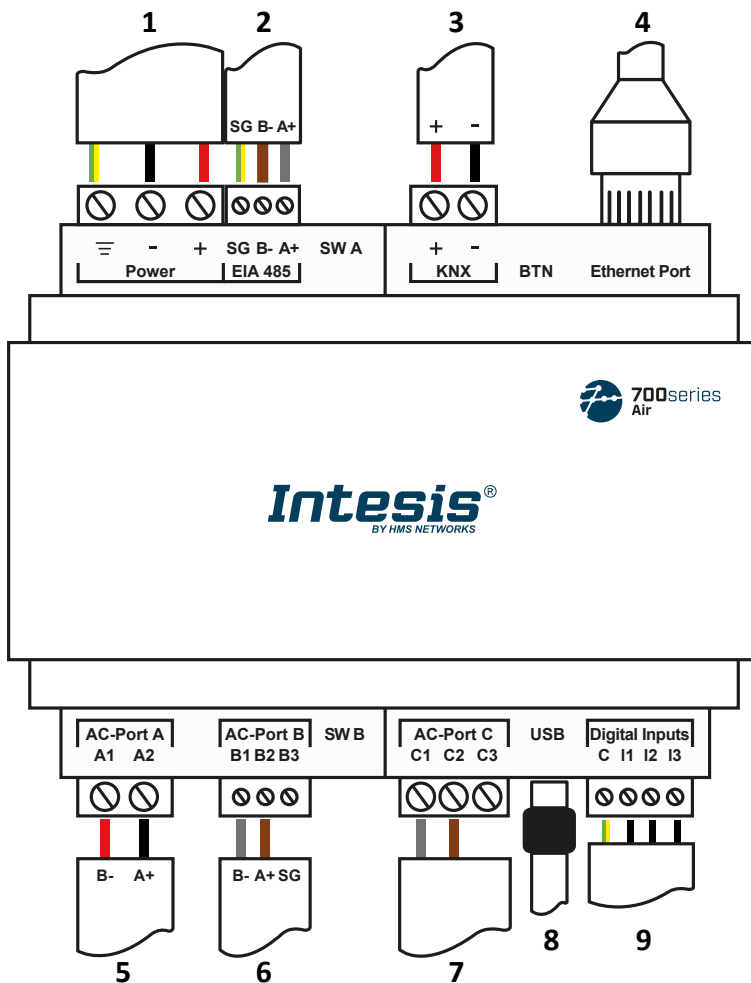
SAMSUNG



[BMS]



Wiring Diagram



- | | |
|------------------------------------|---|
| 1. Power Supply (12-36VDC / 24VAC) | 6. Samsung (R1/R2) |
| 2. Modbus RTU | 7. Not used |
| 3. Not used | 8. Console |
| 4. Modbus TCP & Console | 9. Binary inputs (dry contact) optional |
| 5. Not used | |

[Application web page](#)

[User manual](#)

[Back](#)

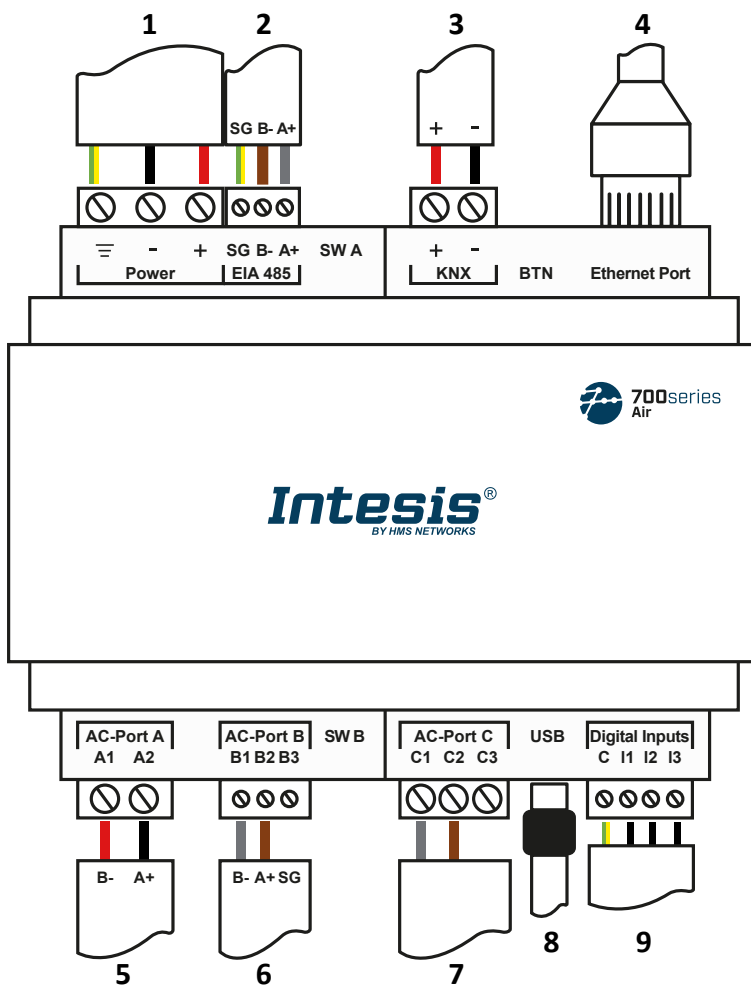
Samsung to Home Automation

SAMSUNG

Home
Automation
[BMS]



Wiring Diagram



[Application web page](#)

[User manual](#)

[Back](#)

- | | |
|------------------------------------|---|
| 1. Power Supply (12-36VDC / 24VAC) | 6. Samsung (R1/R2) |
| 2. Not used | 7. Not used |
| 3. Not used | 8. Console |
| 4. Home Automation & Console | 9. Binary inputs (dry contact) optional |
| 5. Not used | |