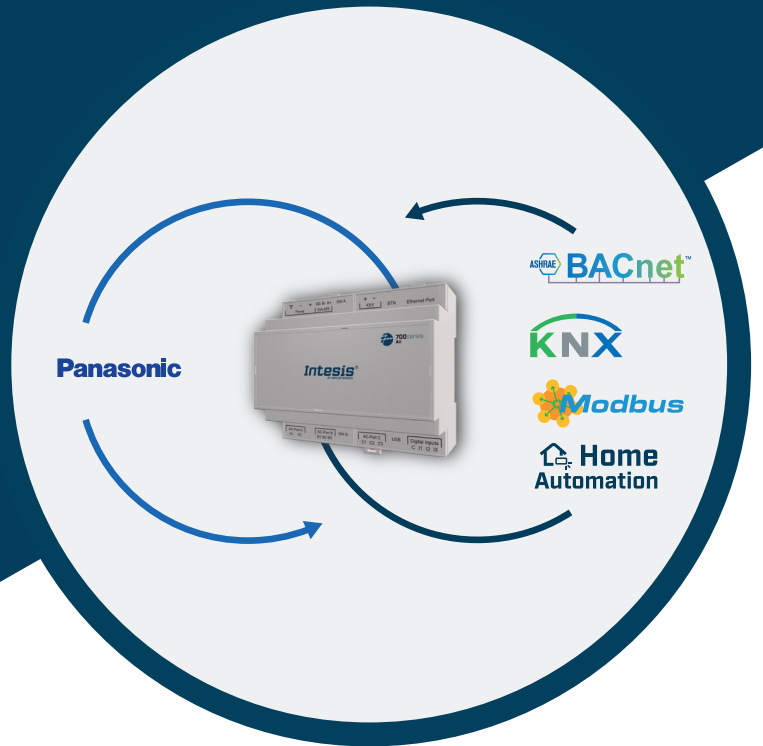



# Application Wiring Diagrams for IN770PAN



## Choose your application

**Panasonic**

ASHRAE **BACnet™**



**IN-BAC-PA**  
Panasonic  
to BACnet

**Panasonic**

**Modbus**



**IN-MBS-PA**  
Panasonic  
to Modbus Server

**Panasonic**


**KNX**



**IN-KNX-PA**  
Panasonic  
to KNX

**Panasonic**

**Home Automation**



**IN-WMP-PA**  
Panasonic  
to Home Automation

# IN-BAC-PA

## Panasonic to BACnet

**Panasonic**

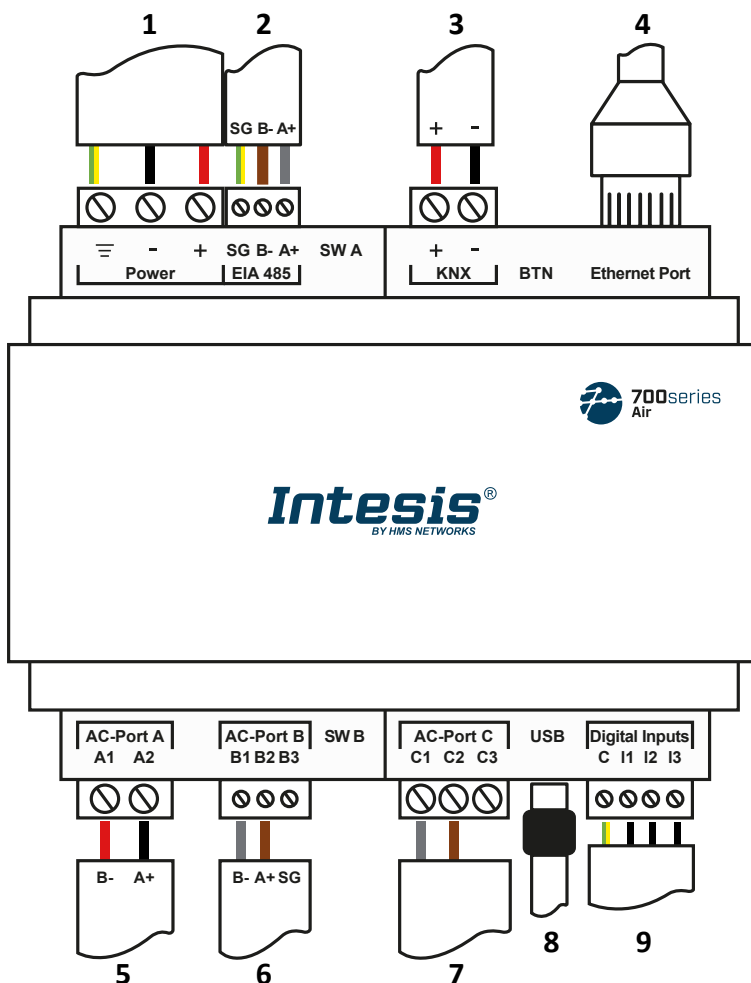


**ASHRAE BACnet™**

[BMS]



## Wiring Diagram



- 1. Power Supply (12-36VDC / 24VAC)
- 2. BACnet MSTP
- 3. Not used
- 4. BACnet IP & Console
- 5. Panasonic (P-Link)
- 6. Not used
- 7. Not used
- 8. Console
- 9. Binary inputs (dry contact) optional

[Application web page](#)

[User manual](#)

[Back](#)

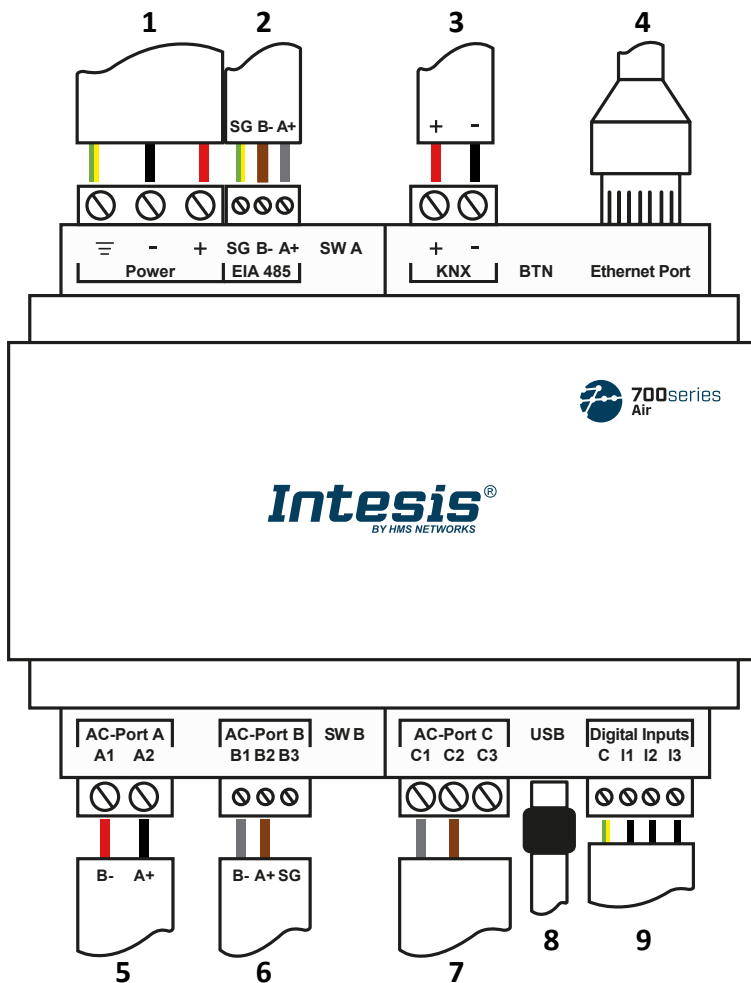
# IN-KNX-PA

## Panasonic to KNX

**Panasonic**



## Wiring Diagram



- |                                    |  |
|------------------------------------|--|
| 1. Power Supply (12-36VDC / 24VAC) | 6. Not used                                |
| 2. Not used                        | 7. Not used                                |
| 3. KNX                             | 8. Console                                 |
| 4. Console                         | 9. Binary inputs<br>(dry contact) optional |
| 5. Panasonic (P-Link)              |  |

[Application web page](#)

[User manual](#)

[Back](#)

## Panasonic to Modbus Server

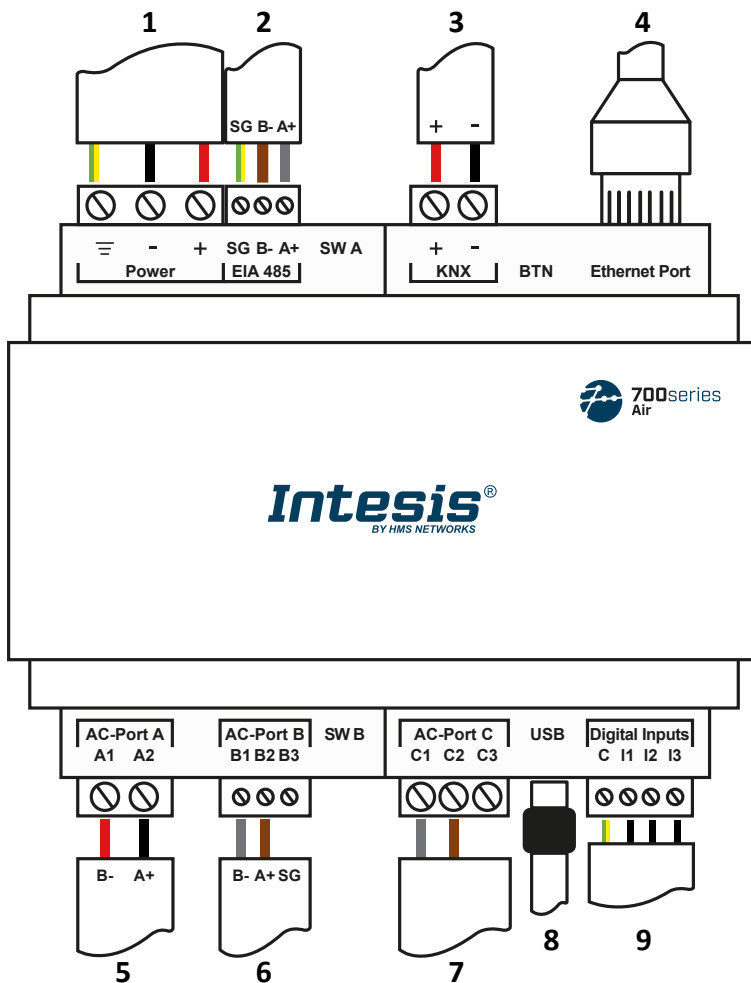
# Panasonic



[BMS]



## Wiring Diagram



- |                                    |   |
|------------------------------------|---|
| 1. Power Supply (12-36VDC / 24VAC) | 6. Not used                             |
| 2. Modbus RTU                      | 7. Not used                             |
| 3. Not used                        | 8. Console                              |
| 4. Modbus TCP & Console            | 9. Binary inputs (dry contact) optional |
| 5. Panasonic (P-Link)              |   |

[Application web page](#)

[User manual](#)

[Back](#)

# IN-WMP-PA



## Panasonic to Home Automation

# Panasonic

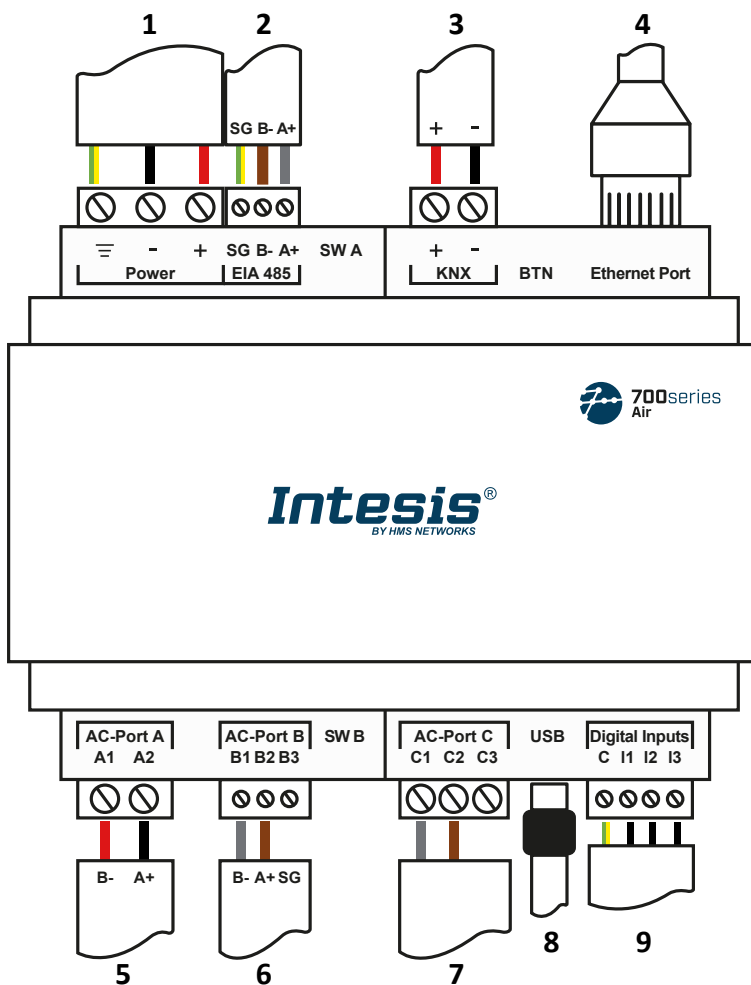


# Home Automation

[BMS]



## Wiring Diagram



- 1. Power Supply (12-36VDC / 24VAC)
- 2. Not used
- 3. Not used
- 4. Home Automation & Console
- 5. Panasonic (P-Link)
- 6. Not used
- 7. Not used
- 8. Console
- 9. Binary inputs (dry contact) optional

[Application web page](#)

[User manual](#)

[Back](#)

