

Application Wiring Diagrams for IN770MIT




Choose your application




ASHRAE **BACnet™**




IN-BAC-ME
Mitsubishi Electric
to BACnet




Modbus




IN-MBS-ME
Mitsubishi Electric
to Modbus Server




KNX



IN-KNX-ME
Mitsubishi Electric
to KNX



Home Automation



IN-WMP-ME
Mitsubishi Electric
to Home Automation

Mitsubishi Electric AC interface with KNX,
Serial and IP support

IN-BAC-ME

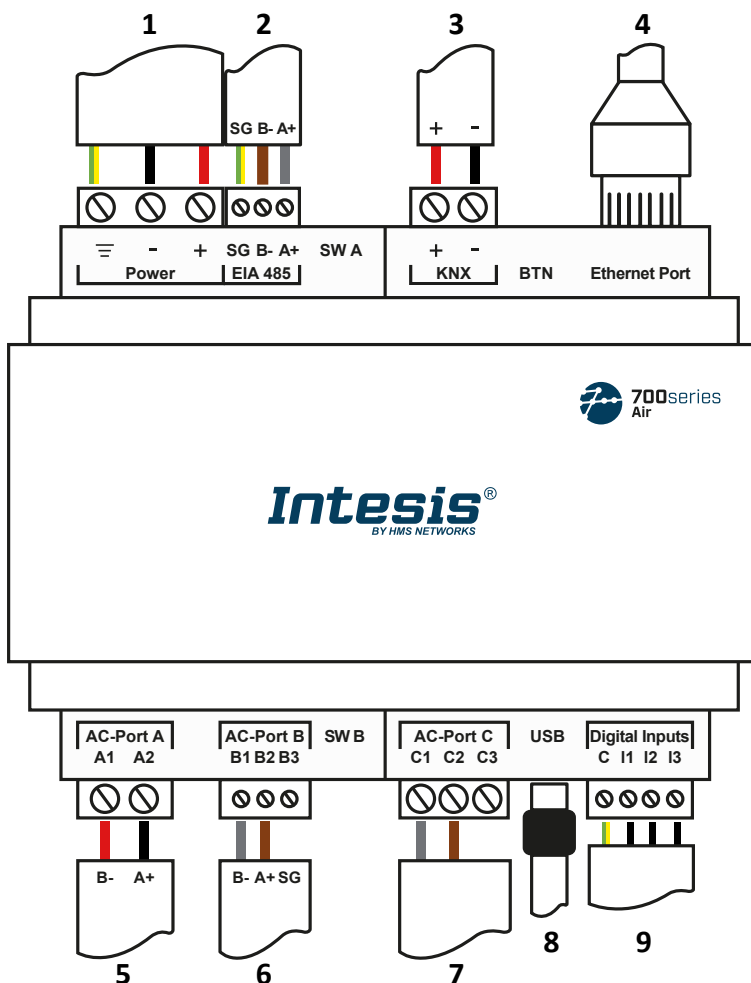
Mitsubishi Electric to BACnet



[BMS]



Wiring Diagram



- | | |
|---|--|
| 1. Power Supply (12-36VDC / 24VAC) | 5. Not used |
| 2. BACnet MSTP | 6. Not used |
| 3. Not used | 7. Not used |
| 4. BACnet IP & Console
Mitsubishi Electric
(Centralized Controller) | 8. Console |
| | 9. Binary inputs
(dry contact) optional |

[Application web page](#)

[User manual](#)

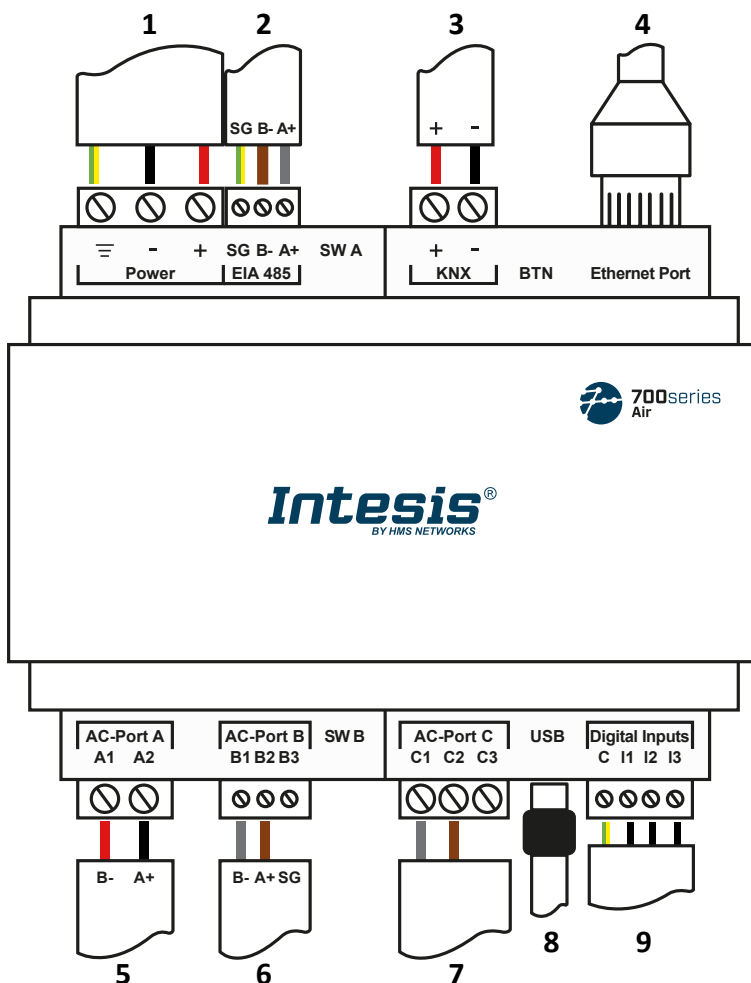
[Back](#)

IN-KNX-ME

Mitsubishi Electric to KNX



Wiring Diagram



- 1. Power Supply (12-36VDC / 24VAC)
- 2. Not used
- 3. KNX
- 4. Console
Mitsubishi Electric
(Centralized Controller)
- 5. Not used
- 6. Not used
- 7. Not used
- 8. Console
Mitsubishi Electric
(Centralized Controller)
- 9. Binary inputs
(dry contact) optional

[Application web page](#)

[User manual](#)

[Back](#)

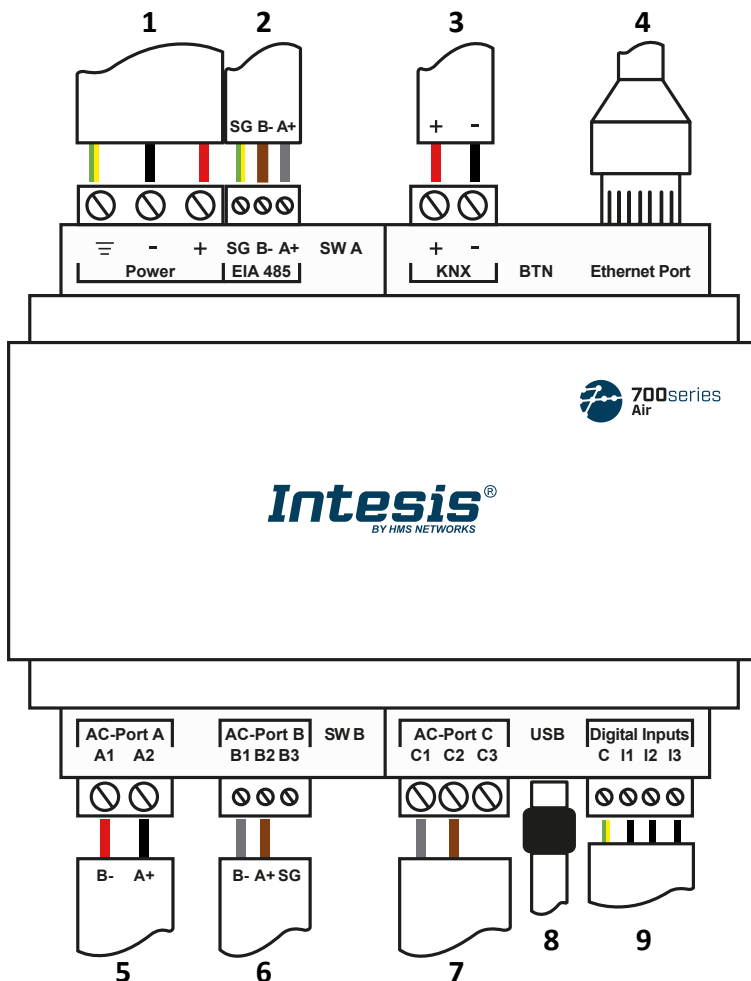
Mitsubishi Electric to Modbus Server



[BMS]



Wiring Diagram



- | | |
|--|--|
| 1. Power Supply (12-36VDC / 24VAC) | 5. Not used |
| 2. Modbus RTU | 6. Not used |
| 3. Not used | 7. Not used |
| 4. Modbus TCP & Console
Mitsubishi Electric
(Centralized Controller) | 8. Console |
| | 9. Binary inputs
(dry contact) optional |

[Application web page](#)

[User manual](#)


[Back](#)

IN-WMP-ME



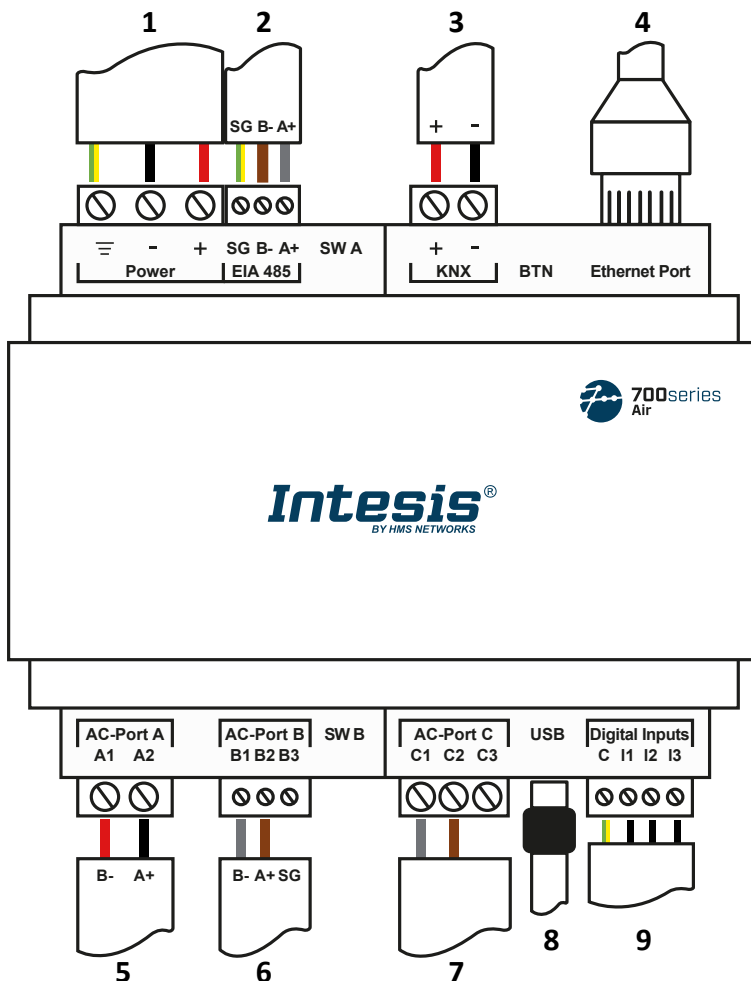
Mitsubishi Electric to Home Automation



 **Home Automation**
[BMS]



Wiring Diagram



- 1. Power Supply (12-36VDC / 24VAC)
- 2. Not used
- 3. Not used
- 4. Home Automation & Console Mitsubishi Electric (Centralized Controller)
- 5. Not used
- 6. Not used
- 7. Not used
- 8. Console
- 9. Binary inputs (dry contact) optional

[Application web page](#)

[User manual](#)

[Back](#)

