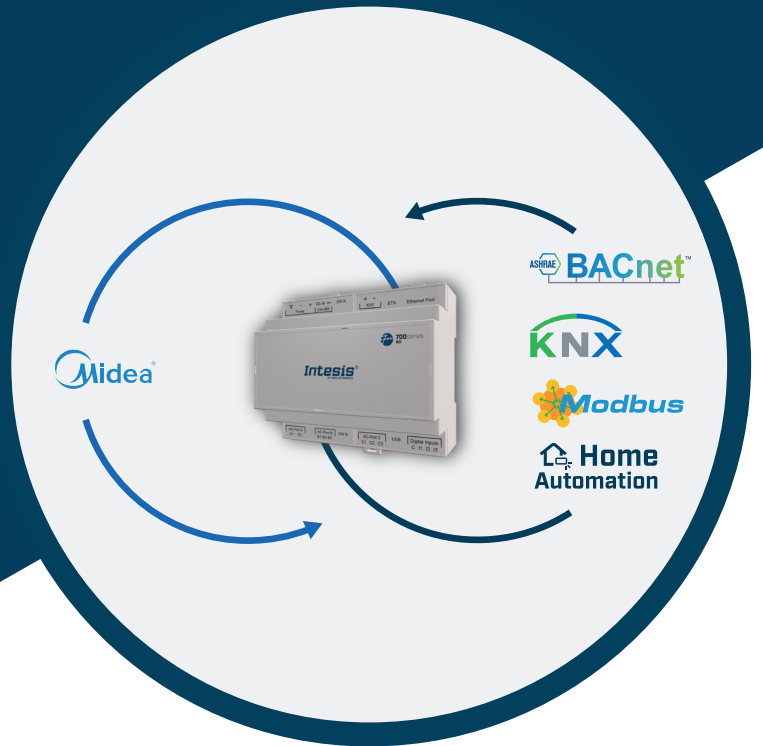


# Application Wiring Diagrams for IN770MID



## Choose your application

IN-BAC-MD  
Midea  
to BACnet

The diagram shows the Midea logo at the top, followed by the BACnet logo. Below is a photograph of the Intesis unit with a BIL and UL LISTED certification mark.

IN-MBS-MD  
Midea  
to Modbus Server

The diagram shows the Midea logo at the top, followed by the Modbus logo. Below is a photograph of the Intesis unit with a UL LISTED certification mark.

IN-KNX-MD  
Midea  
to KNX

The diagram shows the Midea logo at the top, followed by the KNX logo. Below is a photograph of the Intesis unit with a UL LISTED certification mark.

IN-WMP-MD  
Midea  
to Home Automation

The diagram shows the Midea logo at the top, followed by the Home Automation logo. Below is a photograph of the Intesis unit with a UL LISTED certification mark.

# IN-BAC-MD

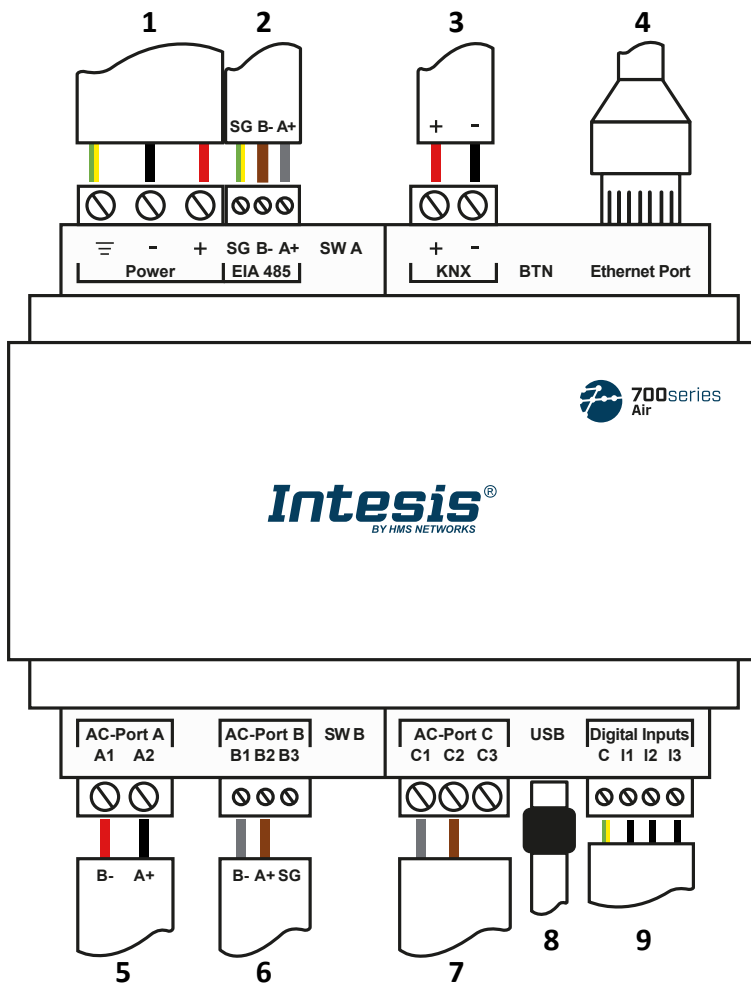
## Midea to BACnet



[BMS]



## Wiring Diagram



- |                                    |  |
|------------------------------------|--|
| 1. Power Supply (12-36VDC / 24VAC) | 6. Midea VRF (XY)                          |
| 2. BACnet MSTP                     | 7. Not used                                |
| 3. Not used                        | 8. Console                                 |
| 4. BACnet IP & Console             | 9. Binary inputs<br>(dry contact) optional |
| 5. Not used                        |  |

[Application web page](#)

[User manual](#)

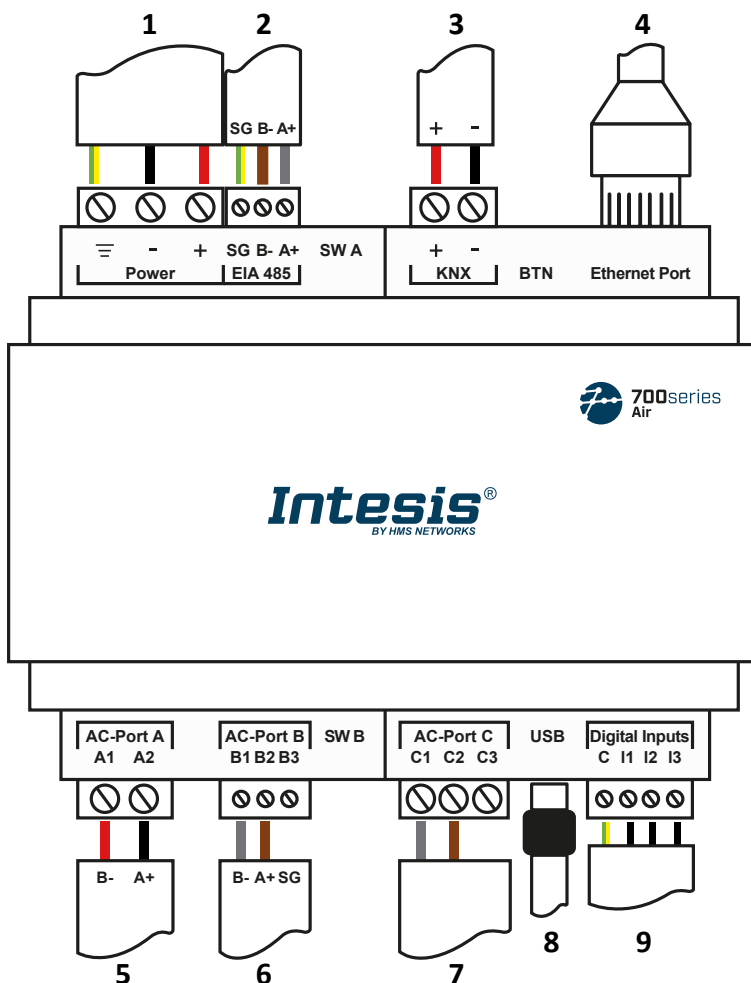
[Back](#)

# IN-KNX-MD

## Midea to KNX



## Wiring Diagram



[Application web page](#)

[User manual](#)

[Back](#)

- |                                    |   |
|------------------------------------|---|
| 1. Power Supply (12-36VDC / 24VAC) | 6. Midea VRF (XY)                       |
| 2. Not used                        | 7. Not used                             |
| 3. KNX                             | 8. Console                              |
| 4. Console                         | 9. Binary inputs (dry contact) optional |
| 5. Not used                        |   |

# IN-MBS-MD

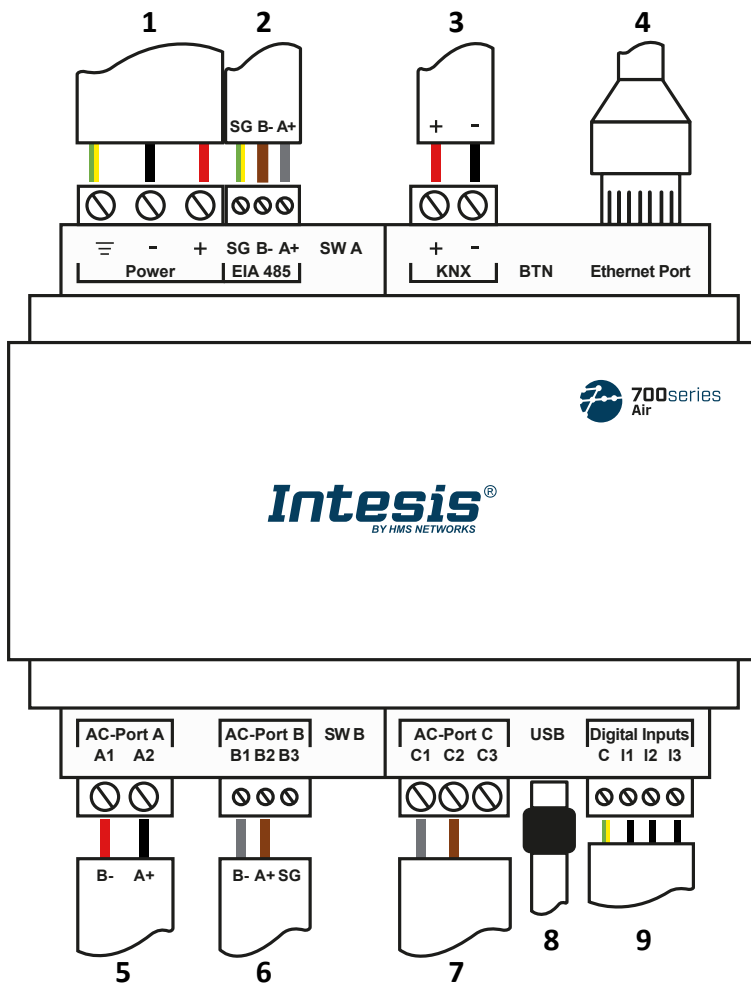
## Midea to Modbus Server



[BMS]



## Wiring Diagram



[Application web page](#)

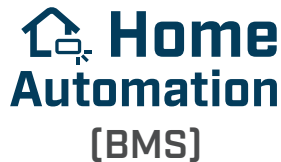
[User manual](#)

[Back](#)

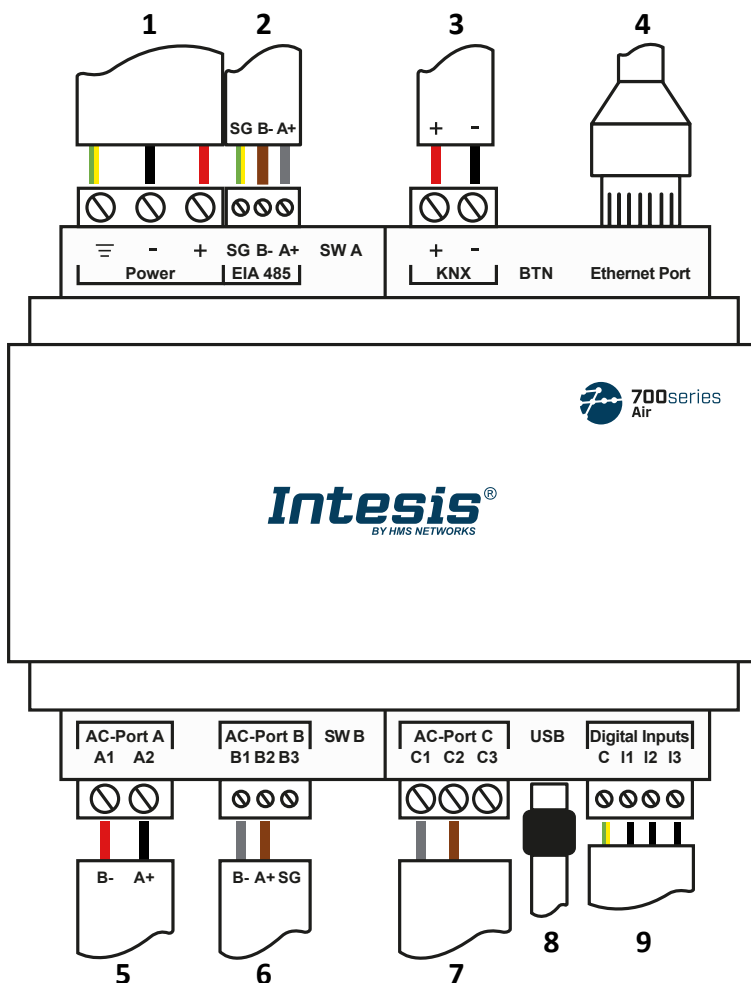
- |                                    |   |
|------------------------------------|---|
| 1. Power Supply (12-36VDC / 24VAC) | 6. Midea VRF (XY)                       |
| 2. Modbus RTU                      | 7. Not used                             |
| 3. Not used                        | 8. Console                              |
| 4. Modbus TCP & Console            | 9. Binary inputs (dry contact) optional |
| 5. Not used                        |   |

# IN-WMP-MD

## Midea to Home Automation



## Wiring Diagram



[Application web page](#)

[User manual](#)

[Back](#)

- 1. Power Supply (12-36VDC / 24VAC)
- 2. Not used
- 3. Not used
- 4. Home Automation & Console
- 5. Not used
- 6. Midea VRF (XY)
- 7. Not used
- 8. Console
- 9. Binary inputs (dry contact) optional