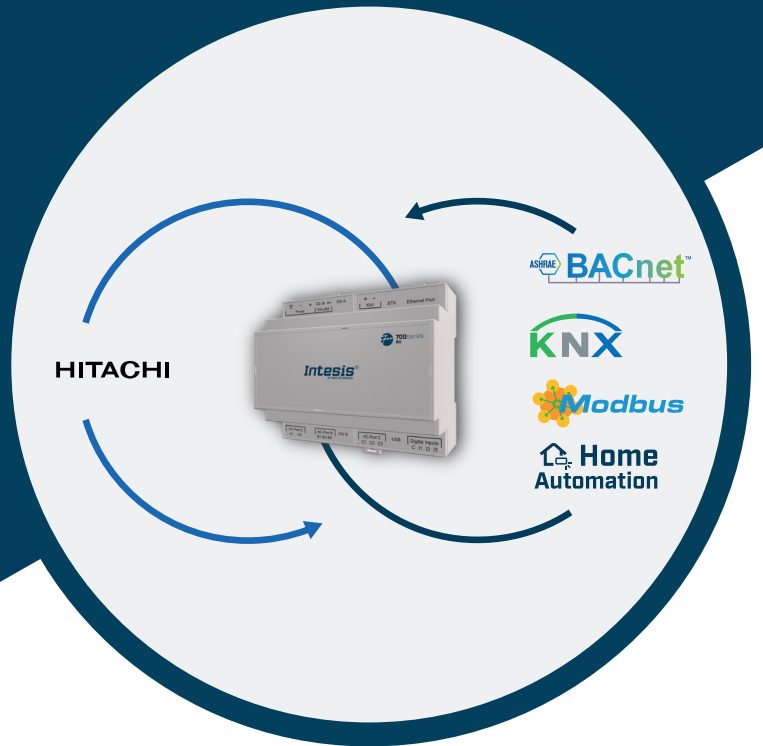


Application Wiring Diagrams for IN770HIT



Choose your application


HITACHI






IN-BAC-HT
Hitachi
to BACnet

HITACHI





IN-MBS-HT
Hitachi
to Modbus Server


HITACHI






IN-KNX-HT
Hitachi
to KNX

HITACHI





IN-WMP-HT
Hitachi
to Home Automation

IN-BAC-HT

Hitachi to BACnet

HITACHI

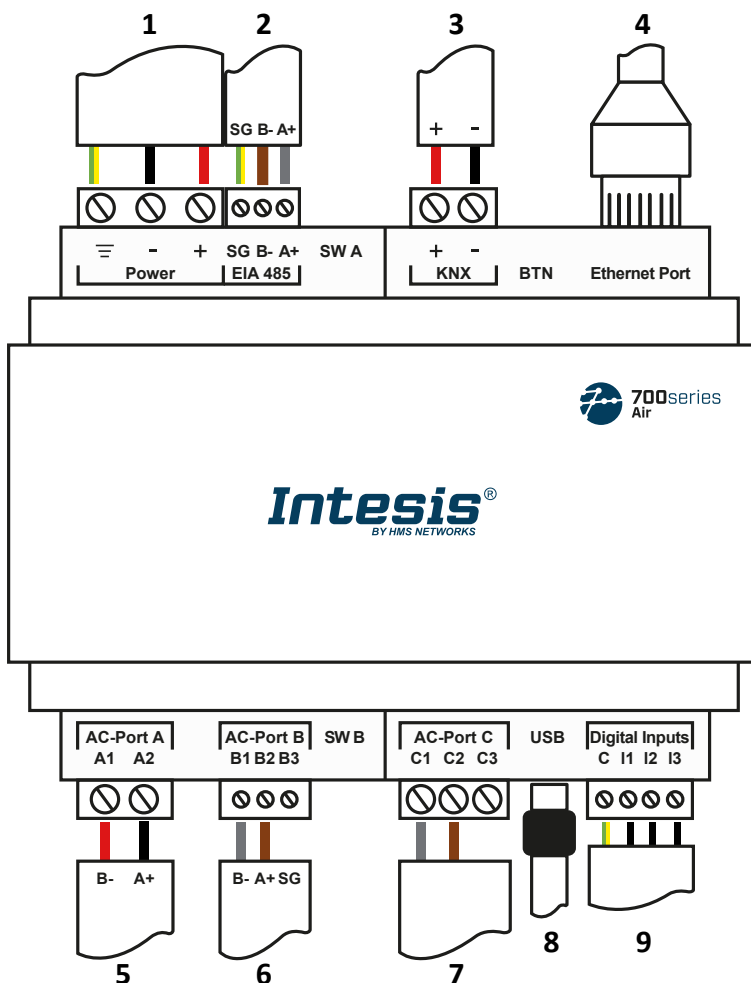


 **ASHRAE BACnet™**

[BMS]



Wiring Diagram



- 1. Power Supply (12-36VDC / 24VAC)
- 2. BACnet MSTP
- 3. Not used
- 4. BACnet IP & Console
- 5. Hitachi (H-Link)
- 6. Not used
- 7. Not used
- 8. Console
- 9. Binary inputs (dry contact) optional

[Application web page](#)

[User manual](#)

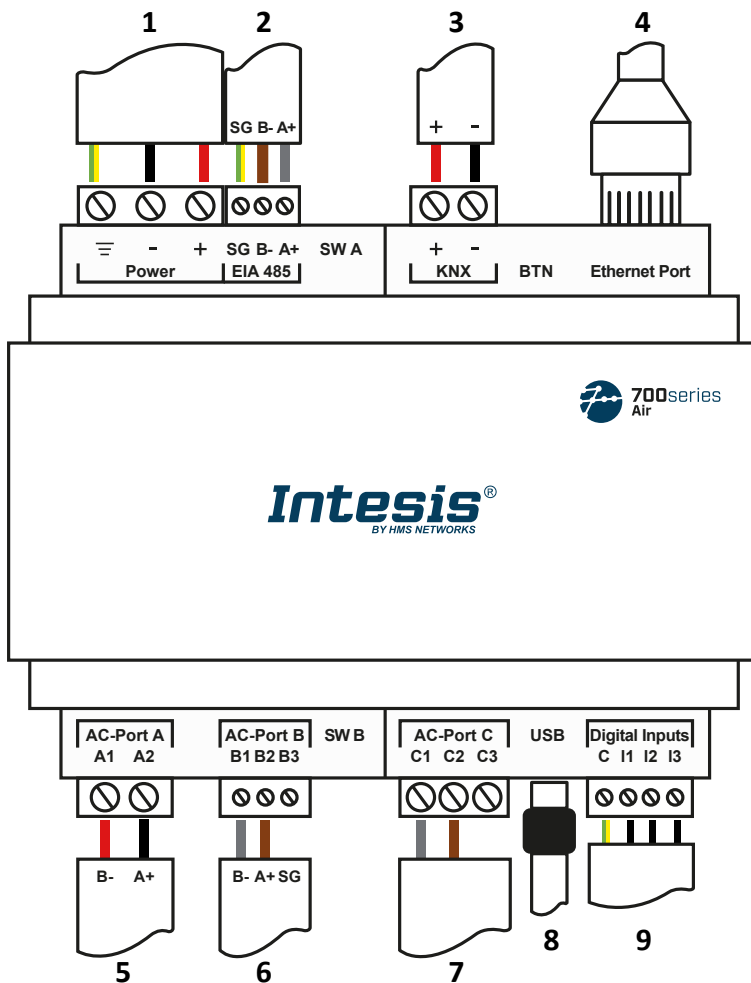
[Back](#)

Hitachi to KNX

HITACHI



Wiring Diagram



[Application web page](#)

[User manual](#)

[Back](#)

- | | |
|------------------------------------|---|
| 1. Power Supply (12-36VDC / 24VAC) | 6. Not used |
| 2. Not used | 7. Not used |
| 3. KNX | 8. Console |
| 4. Console | 9. Binary inputs (dry contact) optional |
| 5. Hitachi (H-Link) | |

Hitachi to Modbus Server

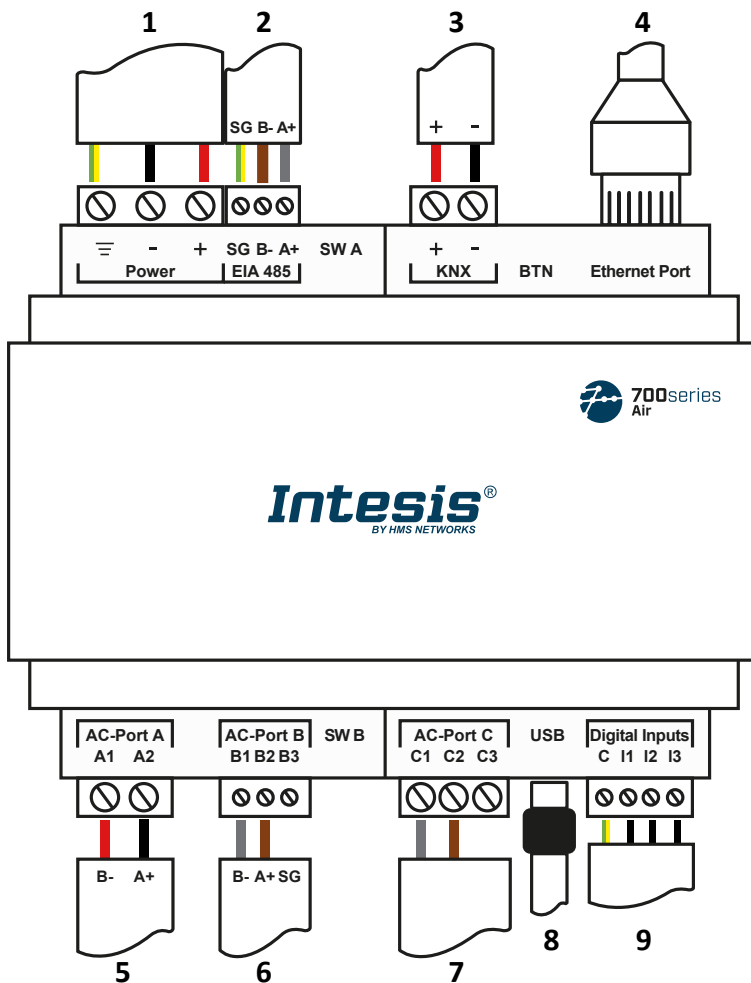
HITACHI



[BMS]



Wiring Diagram



- | | |
|------------------------------------|---|
| 1. Power Supply (12-36VDC / 24VAC) | 6. Not used |
| 2. Modbus RTU | 7. Not used |
| 3. Not used | 8. Console |
| 4. Modbus TCP & Console | 9. Binary inputs (dry contact) optional |
| 5. Hitachi (H-Link) | |

[Application web page](#)

[User manual](#)

[Back](#)

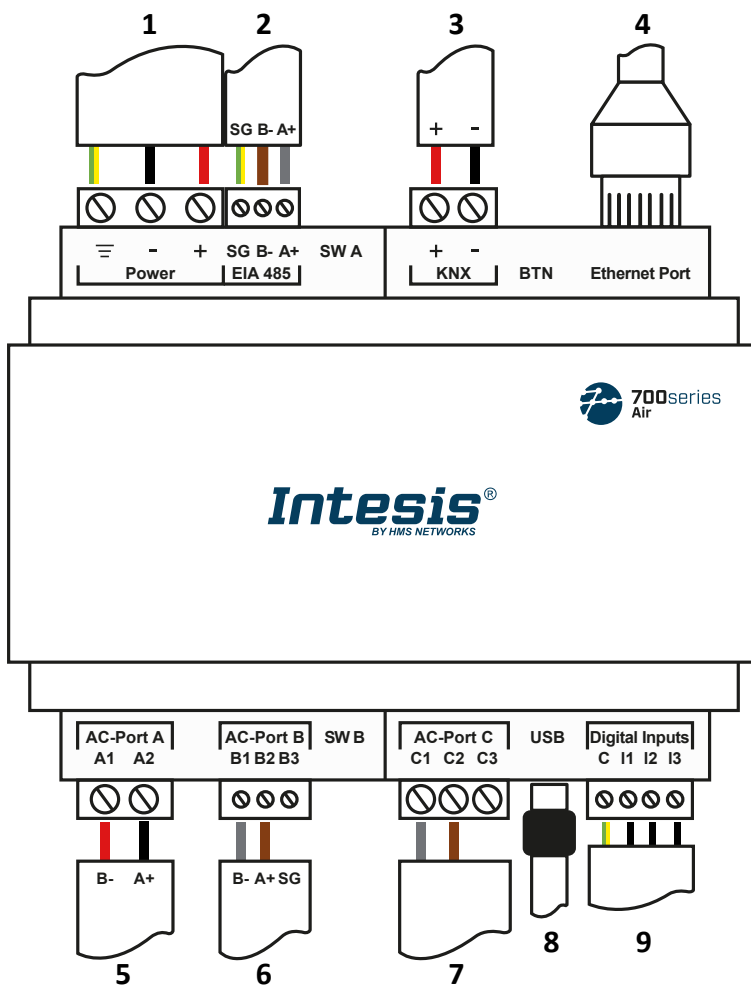
Hitachi to Home Automation

HITACHI

 **Home
Automation**
[BMS]



Wiring Diagram



[Application
web page](#)

[User
manual](#)

[Back](#)

- | | |
|------------------------------------|--|
| 1. Power Supply (12-36VDC / 24VAC) | 6. Not used |
| 2. Not used | 7. Not used |
| 3. Not used | 8. Console |
| 4. Home Automation & Console | 9. Binary inputs
(dry contact) optional |
| 5. Hitachi (H-Link) | |