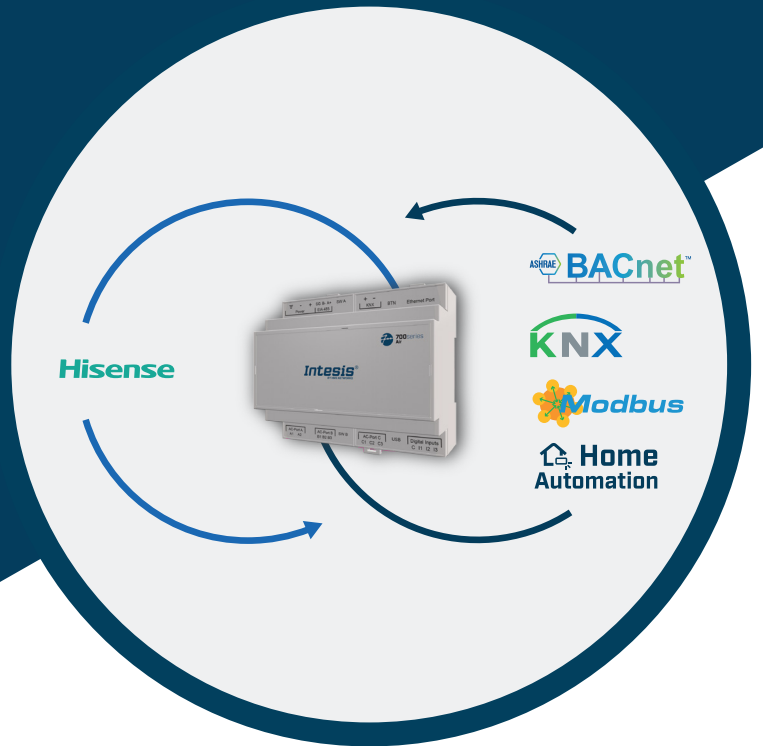


Application Wiring Diagrams for IN770HIS



Choose your application

Hisense

ASHRAE BACnet™

IN-BAC-HS
Hisense
to BACnet

Hisense

Modbus

IN-MBS-HS
Hisense
to Modbus Server

Hisense

KNX

IN-KNX-HS
Hisense
to KNX

Hisense

Home Automation

IN-WMP-HS
Hisense
to Home Automation

Hisense AC interface with KNX, Serial
and IP support

IN-BAC-HS

Hisense to BACnet

Hisense

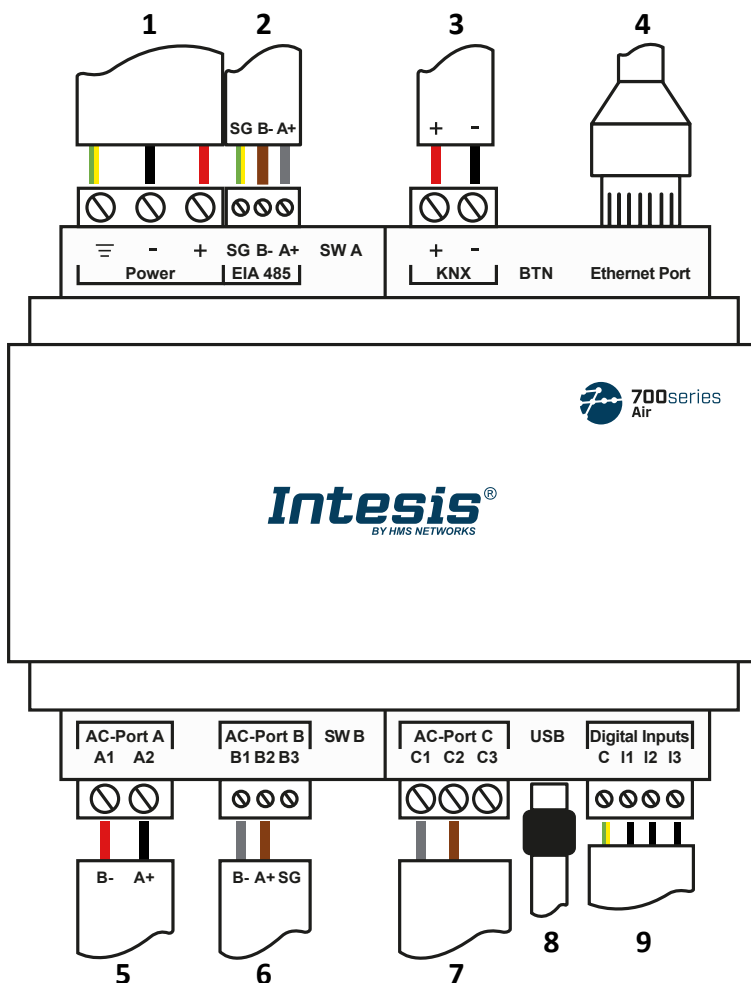


ASHRAE BACnet™

[BMS]



Wiring Diagram



- | | |
|------------------------------------|--|
| 1. Power Supply (12-36VDC / 24VAC) | 6. Not used |
| 2. BACnet MSTP | 7. Not used |
| 3. Not used | 8. Console |
| 4. BACnet IP & Console | 9. Binary inputs
(dry contact) optional |
| 5. Hisense (H-Link) | |

Application
web page

User
manual

Back

IN-KNX-HS

Hisense to KNX

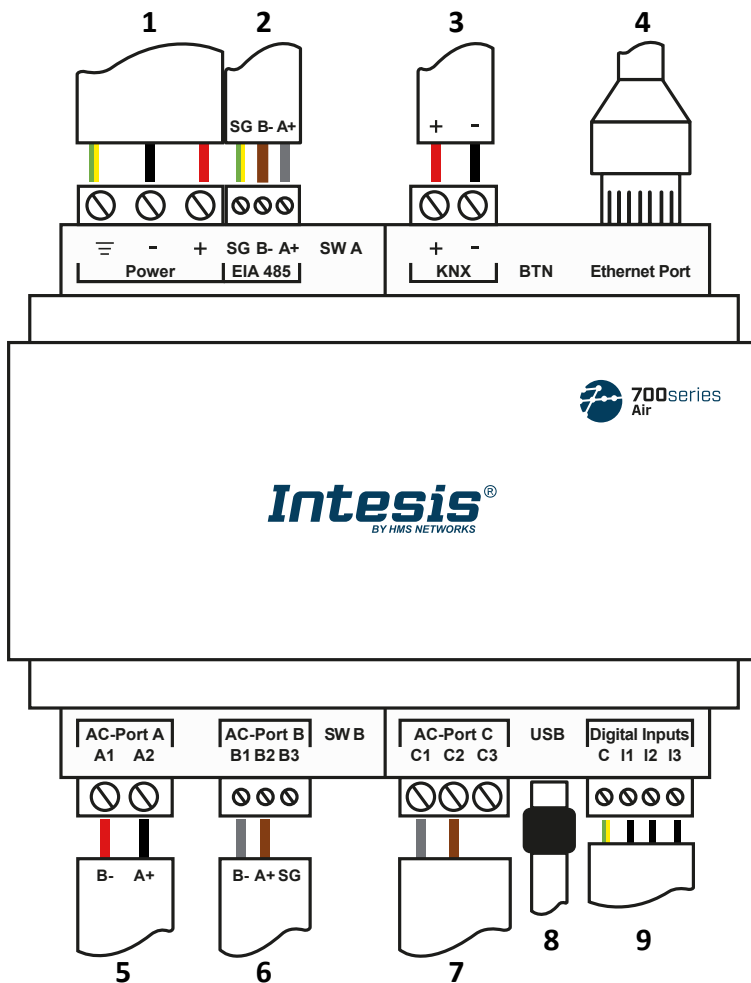
Hisense



KNX
[BMS]



Wiring Diagram



[Application web page](#)

[User manual](#)

[Back](#)

- | | |
|------------------------------------|---|
| 1. Power Supply (12-36VDC / 24VAC) | 6. Not used |
| 2. Not used | 7. Not used |
| 3. KNX | 8. Console |
| 4. Console | 9. Binary inputs (dry contact) optional |
| 5. Hisense (H-Link) | |

IN-MBS-HS

Hisense to Modbus Server

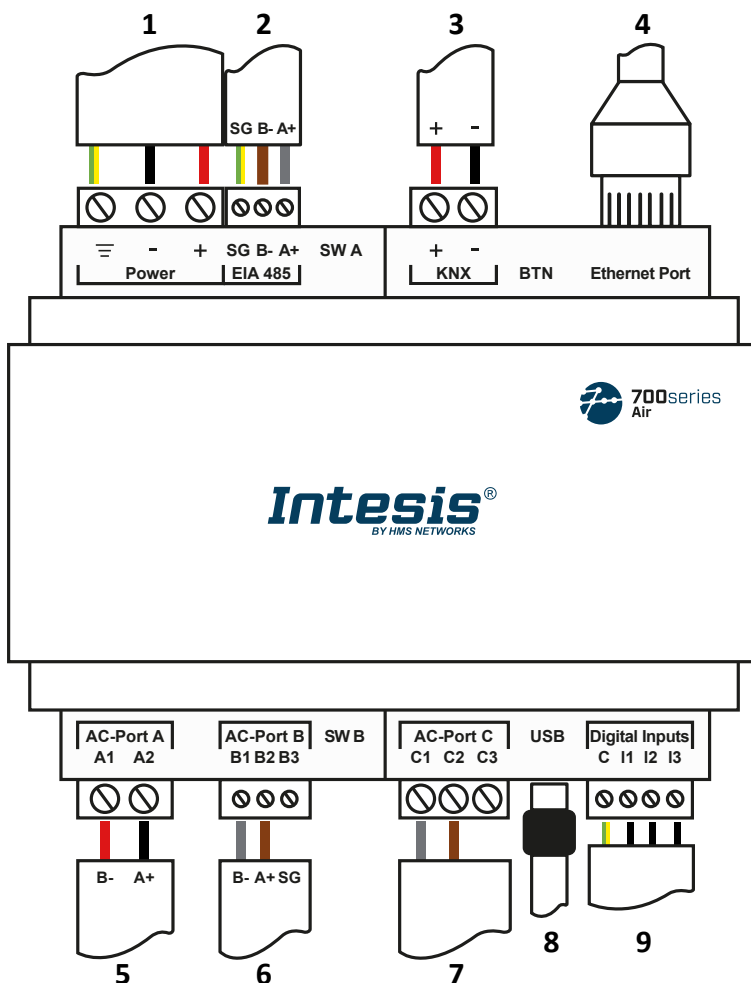
Hisense



[BMS]



Wiring Diagram



[Application web page](#)

[User manual](#)


[Back](#)

- | | |
|------------------------------------|---|
| 1. Power Supply (12-36VDC / 24VAC) | 6. Not used |
| 2. Modbus RTU | 7. Not used |
| 3. Not used | 8. Console |
| 4. Modbus TCP & Console | 9. Binary inputs (dry contact) optional |
| 5. Hisense (H-Link) | |

IN-WMP-HS

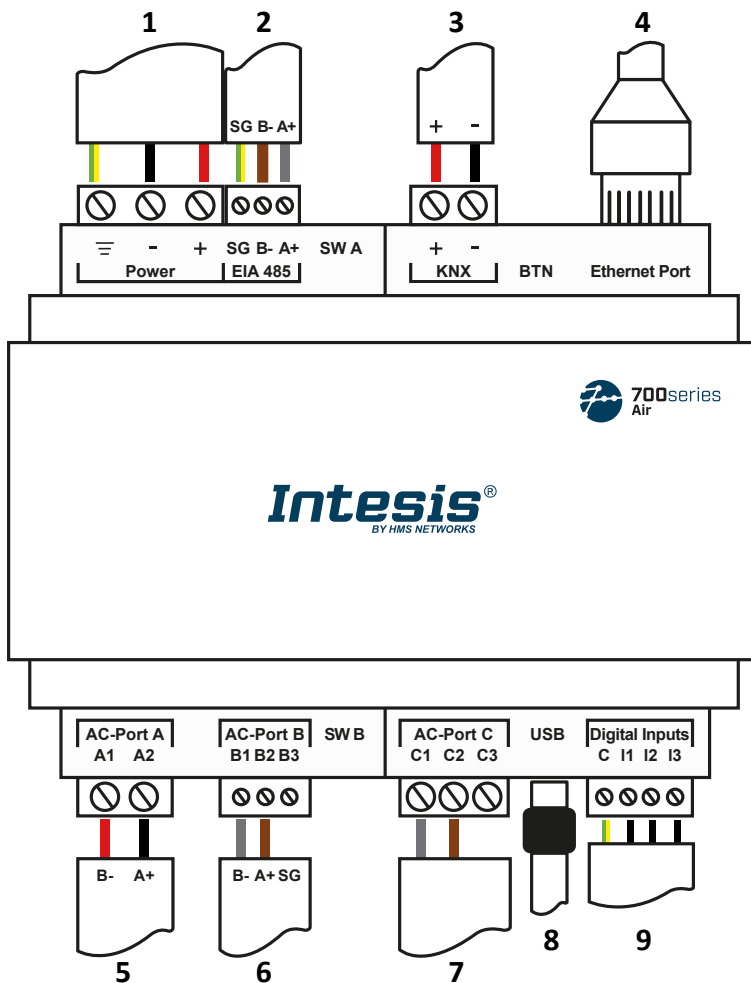
Hisense to Home Automation

Hisense

 **Home Automation**
[BMS]



Wiring Diagram



[Application web page](#)

[User manual](#)

[Back](#)

- | | |
|------------------------------------|---|
| 1. Power Supply (12-36VDC / 24VAC) | 6. Not used |
| 2. Not used | 7. Not used |
| 3. Not used | 8. Console |
| 4. Home Automation & Console | 9. Binary inputs (dry contact) optional |
| 5. Hisense (H-Link) | |