

Data sheet

BMT-TP

Part number
11088813

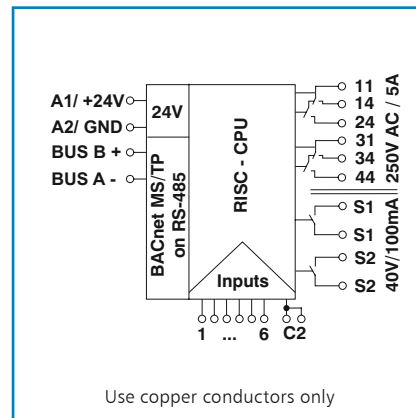
BACnet module with digital inputs and outputs

2016-11-14

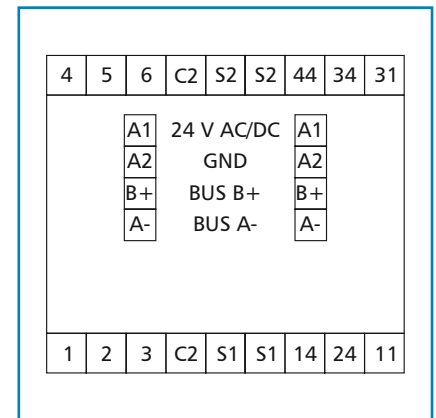
Illustrations



Principle diagram



Wiring



Product description

The BACnet MS/TP three-point module with 6 digital inputs, 2 two-level relay outputs and 2 digital outputs was developed for decentralized switching tasks.

It is suitable for switching, for example, multi-level pumps and fans or louvers.

With strong inductive loads, we recommend protecting the relay contacts additionally with an RC element.

The inputs and outputs can be switched and scanned by means of standard objects via a BACnet client. The input terminals 1 to 6 are wired with the C2 terminals on two poles to potential-free switches or contacts. The module has a manual control for the outputs.

The module address and the bit rate are set by means of two address switches on the front.

Suitable for decentralized mounting on DIN TH35 rail according to IEC 60715 in electrical distribution cabinets.

Data sheet

BMT-TP

BACnet module with digital inputs and outputs

Technical data

Approvals

C-UL Certification	Open Energy Management Equipment 34TZ
--------------------	---------------------------------------

BACnet interface

Protocol	BACnet MS/TP
Address range	00 to F9
Transmission rate	9600 to 115200 Bit/s, factory setting 9600 Bit/s
Cabling	RS485 two wire bus with potential equalization in bus or line topology terminate with 120 Ohm

Supply

Operating voltage	24 V AC/DC ± 10 % (SELV)
Current consumption	100 mA (AC) / 40 mA (DC)
Relative duty cycle	100 %

Inputs

Digital inputs	6
Voltage input	30 V AC/DC
High signal recognition	>7 V AC/DC

Outputs

Output contacts	2x NO contacts (semiconductor) 2x two-stage (relay)
Semiconductor relays	
Switching voltage	2x 40 V AC/DC
Making/breaking current max.	500 mA
Nominal current	100 mA
Relays	
Switching voltage	2x 250 V AC
Nominal current	6 A (relays)
Mechanical endurance	30 x 10 ⁶ cycles
Electrical endurance	9 x 10 ⁴ cycles
Permissible switching frequency	6 per minute at nominal current

General informations

Rated insulation voltage	230/400 V AC	
Overvoltage category	III	II
Pollution degree	2	2
Rated surge voltage	4 kV	2.5 kV
Type of insulation	basic insulation	reinforced insulation

Data sheet

BMT-TP

BACnet module with digital inputs and outputs

Technical data

Housing	
Dimensions WxHxD	1.969 x 2.728 x 2.362 in. (50 x 69.3 x 60 mm)
Depth including switches	2.717 in. (69 mm)
Weight	126 g
Mounting position	any
Mounting	on TH35 rail per IEC 60715
Side-by-side mounting	Without space The maximum quantity of BACnet modules connected side-by-side is limited to 15 or to a maximum power consumption of 2 Amps (AC or DC) per connection to the power supply. For any similar block of additional modules a separate connection to the power supply is necessary.
Material	
Housing	polyamide 6.6 V0
Terminal blocks	polyamide 6.6 V0
Cover	polycarbonate
Type of protection (IEC 60529)	
Housing	IP40
Terminal blocks	IP20
Terminal blocks	
Supply and bus	
Terminal block	4-pole
Solid wire	max. AWG 16 (1.5 mm ²)
Stranded wire	max. AWG 18 (1.0 mm ²)
Wire diameter	0.3 mm to max. 1.4 mm
Module connection, inputs and outputs	
Solid wire	max. AWG 12 (4 mm ²)
Stranded wire	max. AWG 14 (2.5 mm ²)
Wire diameter	0.3 mm to max. 2.7 mm
Protective circuitry	Polarity reversal protection of operating voltage Polarity reversal protection of supply and bus
Temperature range	
Operation	23 °F to 131 °F (-5 °C to +55 °C)
Storage	-4 °F to +158 °F (-20 °C to +70 °C)
Display	
Operating and bus activity	green LED
Error indication	red LED
Status of inputs and outputs	yellow LEDs
Additional documents	
Software description, mounting note, certificates	All additional documents are available for download at www.metz-connect.com



Data sheet

BMT-TP

BACnet module with digital inputs and outputs

Page 4/4

Part number

11088813

2016-11-14

Dimensional drawing

