

# Data sheet

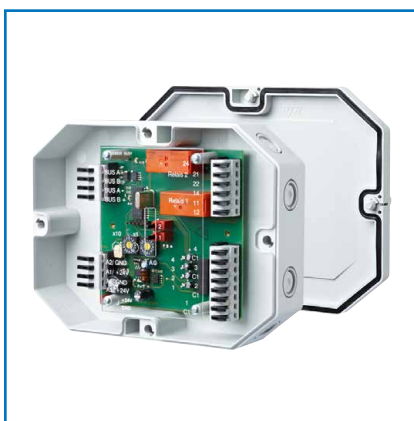
## BMT-DIO4/2-IP

Part number  
1108831326IP

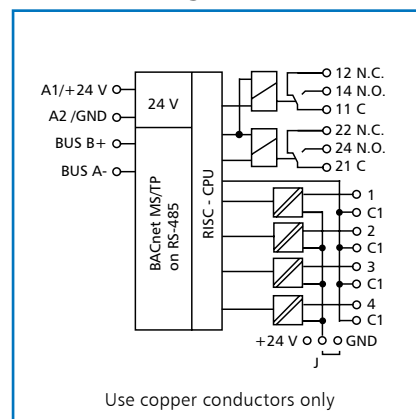
### BACnet module with digital inputs and outputs

2015-03-17

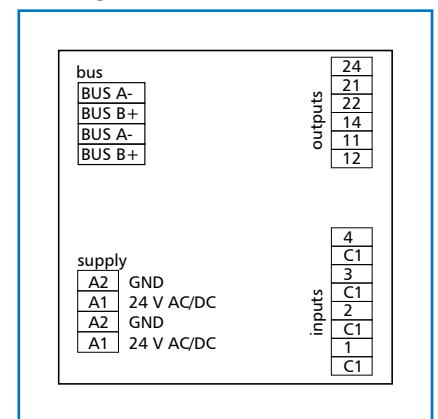
#### Illustrations



#### Principle diagram



#### Wiring



#### Product description

The BACnet MS/TP module in IP65 housing with 4 digital inputs and 2 relay outputs with manual control was developed for decentralized switching tasks.

It is suitable for accommodating, for example, light switches and window contacts in a room, switching two light strips or controlling louvers. It can also be used to control 2 motorized fire dampers.

With strong inductive loads, we recommend protecting the relay contacts additionally with an RC element.

The inputs can be used as contact or voltage inputs. The inputs and outputs can be switched and scanned by means of standard objects via a BACnet client. The module address and the baud rate are set by means of two address switches.

**Data sheet**  
**BMT-DIO4/2-IP**  
**BACnet module with digital inputs and outputs**

Page 2/4  
**Part number**  
**1108831326IP**  
 2015-03-17

**Technical data**

<b>BACnet interface</b>	
Protocol	BACnet MS/TP
Address range	00 to F9
Transmission rate	9600 to 115200 Bd, factory setting 9600 Bd
Cabling	RS485 two wire bus with potential equalization in bus or line topology terminate with 120 Ohm
<b>Supply</b>	
Operating voltage range	20 to 28 V AC/DC (SELV)
Current consumption	200 mA (AC) / 75 mA (DC)
Relative duty cycle	100 %
<b>Inputs</b>	
Digital inputs	4
Voltage input	30 V DC
High signal recognition	>7 V AC/DC
<b>Outputs</b>	
Digital outputs	2
Output contact	2 changeover contacts
Switching voltage max.	250 V AC
Continuous current	10 A per relay (80 A for 20 ms)
<b>Housing</b>	
Dimensions WxHxD	6.299 x 1.602 x 4.724 in. (160 x 40.7 x 120 mm)
Weight	350 g
Mounting position	any
Mounting	directly on a flat surface 8 knock-out openings for M12 and M16 cable glands
Material	
Housing	ASA + polycarbonate
Terminal blocks	polyamide 6.6 V0
Cover	polycarbonate
Type of protection (IEC 60529)	
Housing	IP65

**Data sheet**  
**BMT-DIO4/2-IP**  
**BACnet module with digital inputs and outputs**

Page 3/4  
**Part number**  
**1108831326IP**  
 2015-03-17

**Technical data**

<b>Terminal blocks</b>	
Supply and bus Terminal block Solid wire Stranded wire Wire diameter	4-pole max. AWG 16 (1.5 mm <sup>2</sup> ) max. AWG 18 (1.0 mm <sup>2</sup> ) 0.3 mm to max. 1.4 mm
Module connection, digital inputs and outputs Solid wire Stranded wire Wire diameter	max. AWG 16 (1.5 mm <sup>2</sup> ) max. AWG 18 (1.0 mm <sup>2</sup> ) 0.3 mm to max. 1.4 mm
Protective circuitry	Polarity reversal protection of operating voltage Polarity reversal protection of supply and bus
<b>Temperature range</b>	
Operation	23 °F to 131 °F (-5 °C to +55 °C)
Storage	-4 °F to +158 °F (-20 °C to +70 °C)
<b>Display</b>	
Operating and bus activity	green LED
Error indication	red LED
Status of the inputs and outputs	yellow LEDs
<b>Additional documents</b>	
Software description, mounting note, certificates	All additional documents are available for download at <a href="http://www.metz-connect.com">www.metz-connect.com</a>



**Data sheet**  
**BMT-DIO4/2-IP**  
**BACnet module with digital inputs and outputs**

Page 4/4  
 Part number  
**1108831326IP**  
 2015-03-17

**Dimensional drawing**

