



ECLYPSE™ Wi-Fi Adapter

Wi-Fi Wireless Adapter for the ECLYPSE Connected System Controller

ECLYPSE™



Overview

The ECLYPSE Wi-Fi Adapter enables an ECLYPSE Connected System Controller to wirelessly communicate on a Wi-Fi network. Its flexible architecture makes it usable as a Wi-Fi client and Wi-Fi access point/hotspot.

Applications

The ECLYPSE Wi-Fi Adapter can be used to connect to or create a wireless network in a permanent installation. It can also be used to provide a control technician with connectivity through a Wi-Fi hotspot for programming, commissioning, and troubleshooting.

Features & Benefits

IP Wireless (Wi-Fi) Connection

The following types of Wi-Fi connections are possible when using the ECLYPSE Wi-Fi Adapter:

- Wi-Fi Client - Connection to the building's existing Wi-Fi network or to another controller's Wi-Fi Hotspot or Access Point.
- Wi-Fi Access Point - extending the building's wired IP network to your Wi-Fi Client devices.
- Wi-Fi Hotspot - your own wireless area network, for wireless communication between the controllers, or with a mobile device or laptop for configuration, commissioning and servicing.

Lower Installation Costs

When using the ECLYPSE Wi-Fi Adapter in a permanent installation, labor and material costs can be reduced by eliminating the need for Ethernet cables and the time associated with pulling those cables.

Specifications

Power Supply Input

Power Source _____ USB powered
Power Consumption _____ 2.5W

Communications

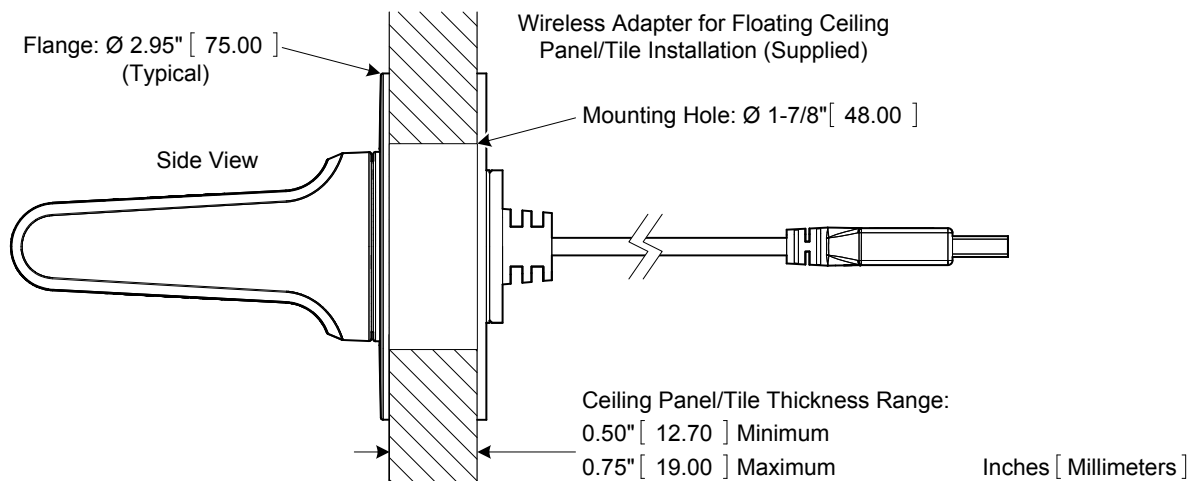
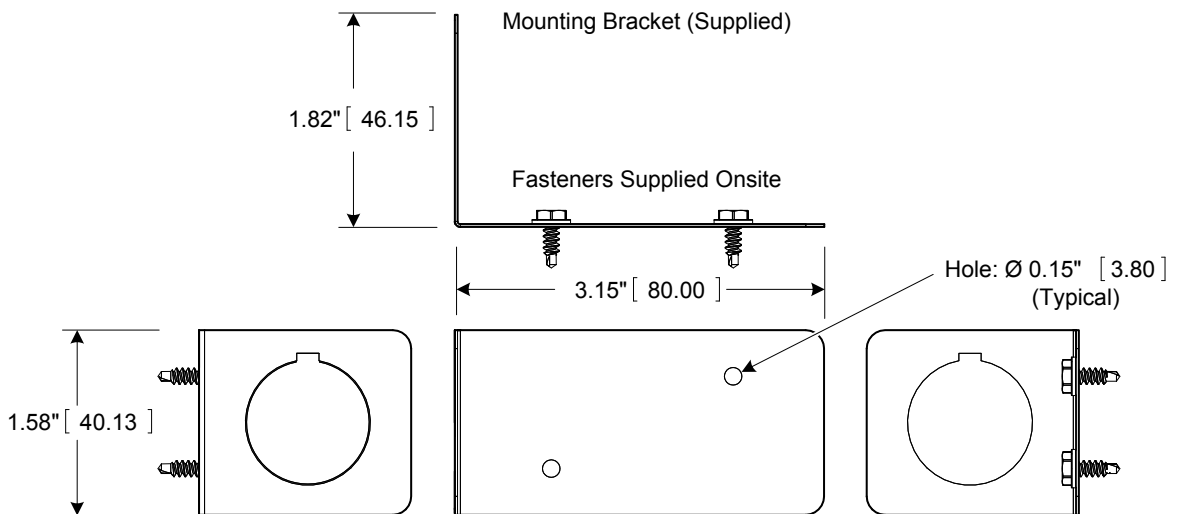
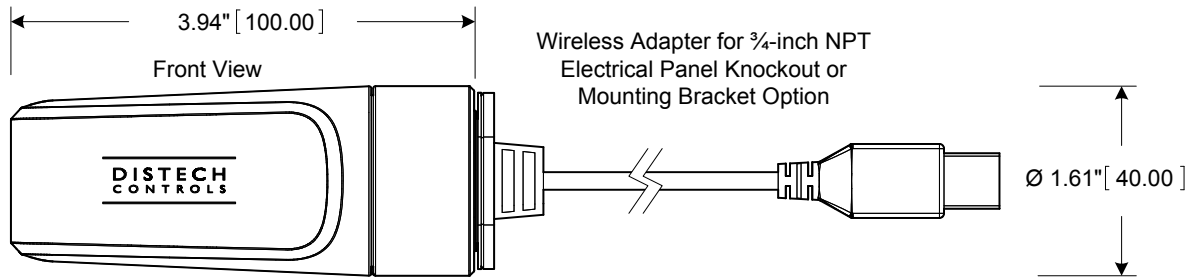
Supported Protocols _____ IEEE 802.11a/b/g/n and 802.11s
Number of Connected Devices in Hotspot/Access Point Mode _____ 7 maximum
Encryption _____ WPA2 (hotspot/access point)

Hardware

Connector _____ USB Type A plug
Cable length _____ 6 feet (1.83m)

Mechanical

Dimensions 3.94 W × Ø 1.61" (100 × 40 mm)



Mounting Options:

- Through a 3/4-inch NPT electrical panel knockout
- Nominal Ø1.115" (26.9 to 32.5mm) hole size
- Mounting bracket installation option (supplied)
- Floating ceiling panel/tile installation option (supplied)

Enclosure Material FR/ABS

Enclosure Rating¹ Plastic housing, UL94-V0 flammability rating
Plenum rating per UL1995

1. All materials and manufacturing processes comply with the RoHS directive and are marked according to the Waste Electrical and Electronic Equipment (WEEE) directive.

Mounting Bracket Installation Option

Dimensions _____ 3.15 W × 1.82 H × 1.58" D (80.00 × 46.15 × 40.13 mm)
Mounting Screw Hole Diameter _____ 0.15" Ø (3.80 mm)

Floating Ceiling Panel/Tile Installation Option

Dimensions:

Flange Diameter _____ Ø 2.95" (75 mm)
 Mounting Hole Diameter _____ Ø 1-7/8" (48 mm)

Environmental

Operating Temperature _____ 32°F to 122°F (0°C to 50°C)
Storage Temperature _____ -22°F to 158°F (-30°C to 70°C)
Relative Humidity _____ 0 to 90% Non-condensing
Ingress Protection Rating _____ IP20
Nema Rating _____ 1

Standards and Regulations (*Pending*)

CE _____

FCC _____

UL Listed (CDN & US) _____

